

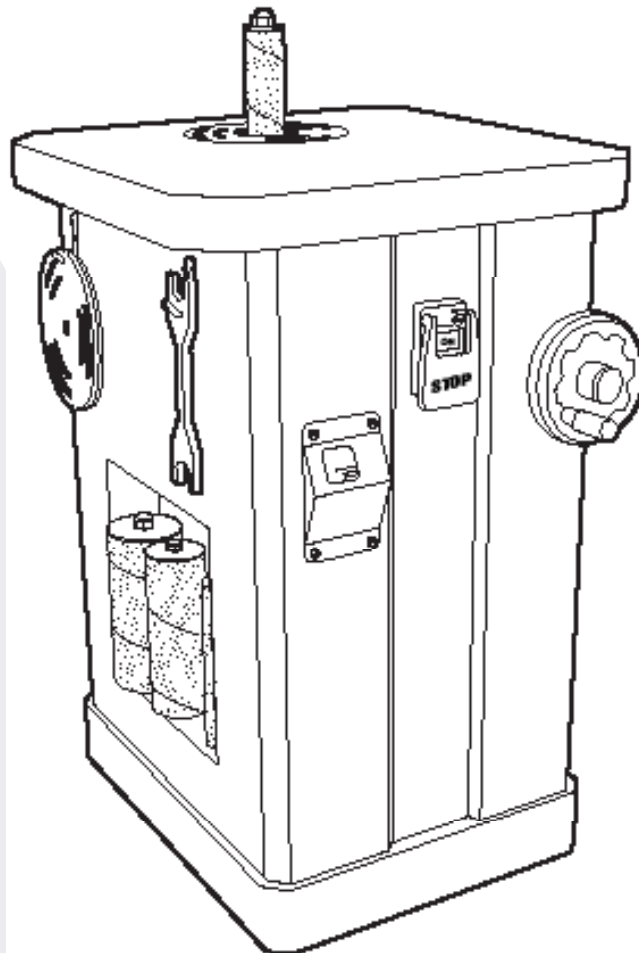


POWER EQUIPMENT CORPORATION

HEAVY DUTY OSCILLATING FLOOR SPINDLE SANDER

Ponceuse à broche oscillante
sur pied haute résistance

Lijadora de piso de eje
oscilante de uso pesa



Français (16)

Español (31)

www.DeltaMachinery.com

Instruction Manual
Manuel d'utilisation
Manual de instrucciones

INSTRUCTIVO DE OPERACIÓN, CENTROS
DE SERVICIO Y PÓLIZA DE GARANTÍA.

▲ ADVERTENCIA: LÉASE ESTE INSTRUCTIVO
ANTES DE USAR EL PRODUCTO.

31-484



TABLE OF CONTENTS

IMPORTANT SAFETY INSTRUCTIONS.....	2	OPERATION	12
SAFETY GUIDELINES - DEFINITIONS	3	ADJUSTMENTS.....	13
GENERAL SAFETY RULES	3	Adjust the Spindle Tilt	13
POWER CONNECTIONS	5	Adjust The 90° and 45° Positive Stops.....	13
Motor Specifications.....	5	RECOMMENDED MAINTENANCE.....	14
Grounding Instructions	5	Routine Inspection	14
Extension Cords	6	Bearings.....	14
FEATURES AND COMPONENTS.....	6	Changing the Gear Oil.....	14
FUNCTIONAL DESCRIPTION	6	ACCESSORIES	14
PRODUCT SPECIFICATIONS.....	7	SERVICE AND REPAIRS.....	14
UNPACKING	7	WARRANTY	15
ASSEMBLY	8	REPLACEMENT PARTS.....	15
Attach the Motor Cover	8	FRANÇAIS.....	16
Attach the Spindle Tilt Wheel.....	8	ESPAÑOL	31
Attach Storage Hooks.....	8		
Install Sanding Sleeves onto Spindles.....	9		
Install the Spindle onto the Sander	9		
Select and Install the Table Insert	10		
Square the Table to the Spindle	11		
Connect to a Dust Collector	11		

IMPORTANT SAFETY INSTRUCTIONS

⚠ WARNING: READ AND UNDERSTAND ALL WARNINGS AND OPERATING INSTRUCTIONS BEFORE USING THIS EQUIPMENT. Failure to follow all instructions listed below, may result in electric shock, fire, and/or serious personal injury or property damage.

Woodworking can be dangerous if safe and proper operating procedures are not followed. As with all machinery, there are certain hazards involved with the operation of the product. Using the machine with respect and caution will considerably lessen the possibility of personal injury. However, if normal safety precautions are overlooked or ignored, personal injury to the operator may result. Safety equipment such as guards, push sticks, hold-downs, featherboards, goggles, dust masks and hearing protection can reduce your potential for injury. But even the best guard won't make up for poor judgment, carelessness or inattention. **Always use common sense** and exercise caution in the workshop. If a procedure feels dangerous, don't try it. Figure out an alternative procedure that feels safer. **REMEMBER:** Your personal safety is your responsibility. For additional information please visit our website www.DeltaMachinery.com.



⚠ WARNING: This machine was designed for certain applications only. DELTA® Power Equipment Corporation strongly recommends that this machine not be modified and/or used for any application other than that for which it was designed. If you have any questions relative to a particular application, DO NOT use the machine until you have first contacted DELTA® to determine if it can or should be performed on the product.

If you have any questions relative to its application DO NOT use the product until you have written DELTA® Power Equipment Corporation and we have advised you. Contact us online at www.DeltaMachinery.com or by mail at Technical Service Manager, DELTA® Power Equipment Corporation, 2651 New Cut Road, Spartanburg, SC 29303.

Information regarding the safe and proper operation of this tool is available from the following sources:

- Power Tool Institute, 1300 Sumner Avenue, Cleveland, OH 44115-2851 or online at www.powertoolinstitute.com
- National Safety Council, 1121 Spring Lake Drive, Itasca, IL 60143-3201
- American National Standards Institute, 25 West 43rd Street, 4 floor, New York, NY 10036 www.ansi.org - ANSI 01.1 Safety Requirements for Woodworking Machines
- U.S. Department of Labor regulations www.osha.gov

SAFETY GUIDELINES - DEFINITIONS

This manual contains information that is important for you to know and understand. This information relates to protecting YOUR SAFETY and PREVENTING EQUIPMENT PROBLEMS. To help you recognize this information, we use the symbols below. Please read the manual and pay attention to these sections.

⚠ DANGER: Indicates an imminently hazardous situation which, if not avoided, will result in death or serious injury.

⚠ WARNING: Indicates a potentially hazardous situation which, if not avoided, could result in death or serious injury.

⚠ CAUTION: Indicates a potentially hazardous situation which, if not avoided, may result in minor or moderate injury.

CAUTION Used without the safety alert symbol indicates potentially hazardous situation which, if not avoided, may result in property damage.

GENERAL SAFETY RULES

⚠ WARNING: WARNING FAILURE TO FOLLOW THESE RULES MAY RESULT IN SERIOUS PERSONAL INJURY.

- **FOR YOUR OWN SAFETY, READ AND UNDERSTAND THE INSTRUCTION MANUAL BEFORE OPERATING THE UNIT.** Learn the unit's application and limitations as well as the specific hazards peculiar to it.
- **KEEP WORK AREA CLEAN.** Cluttered areas and benches invite accidents.
- **DON'T USE IN DANGEROUS ENVIRONMENT.** Don't use this unit in damp or wet locations, or expose it to rain. Keep work area well-lighted.
- **KEEP CHILDREN AND VISITORS AWAY.** All children and visitors should be kept a safe distance from work area.
- **DISCONNECT UNIT** before servicing.
- **CHECK DAMAGED PARTS.** Before further use of the unit, properly repair or replace any part that is damaged.

⚠ WARNING: FAILURE TO FOLLOW THESE RULES MAY RESULT IN SERIOUS INJURY.

1. Read and understand the warnings posted on the machine and in this manual. Failure to comply with all of these warnings may cause serious injury.
 2. Replace the warning labels if they become obscured or removed.
 3. This machine is designed and intended for use by properly trained and experienced personnel only. If you are not familiar with the proper and safe operation of a heavy duty floor spindle sander, do not use until proper training and knowledge have been obtained.
 4. Do not use this machine for other than its intended use. If used for other purposes, DELTA® Power Equipment Corporation disclaims any real or implied warranty and holds itself harmless from any injury that may result from that use.
 5. Always wear approved safety glasses/face shields while using this spindle sander.
 6. Before operating this sander, remove tie, rings, watches and other jewelry, and roll sleeves up past the elbows. Remove all loose clothing and confine long hair. Non-slip footwear or anti-skid floor strips are recommended. Do not wear gloves.
 7. Wear ear protectors (plugs or muffs) during extended periods of operation.
 8. Some dust created by power sanding, sawing, grinding, drilling and other construction activities contain chemicals known to cause cancer, birth defects or other reproductive harm. Some examples of these chemicals are:
 - Lead from lead based paint.
 - Crystalline silica from bricks, cement and other masonry products.
 - Arsenic and chromium from chemically treated lumber.
- Your risk of exposure varies, depending on how often you do this type of work.** To reduce your exposure to these chemicals, work in a well-ventilated area and work with approved safety equipment, such as face or dust masks that are specifically designed to filter out microscopic particles.
9. Do not operate this machine while tired or under the influence of drugs, alcohol or any medication.
 10. Make certain the switch is in the OFF position before connecting the machine to the power source.
 11. Make certain the machine is properly grounded.
 12. Make all machine adjustments or maintenance with the machine unplugged from the power source.

continued on page 4

13. Form a habit of checking to see that all extra equipment such as adjusting keys, wrenches, scrap, stock, and cleaning rags are removed away from the machine before turning on.
14. Keep safety guards in place at all times when the machine is in use. If removed for maintenance purposes, use extreme caution and replace the guards immediately when maintenance is complete.
15. Make sure the tool is firmly secured to the floor before use.
16. Check damaged parts. Before further use of the machine, a guard or other part that is damaged should be carefully checked to determine that it will operate properly and perform its intended function. Check for alignment of moving parts, binding of moving parts, breakage of parts, mounting and any other conditions that may affect its operation. A guard or other part that is damaged should be properly repaired or replaced.
17. Provide for adequate space surrounding work area and non-glare, overhead lighting.
18. Keep the floor around the machine clean and free of scrap material, oil and grease.
19. Keep visitors a safe distance from the work area. Keep children away.
20. Make your workshop child proof with padlocks, master switches or by removing starter keys.
21. Give your work undivided attention. Looking around, carrying on a conversation and "horse-play" are careless acts that can result in serious injury.
22. Maintain a balanced stance at all times so that you do not fall or lean against the tool or its moving parts. Do not overreach or use excessive force to perform any machine operation.
23. Use the right tool at the correct speed and feed rate. Do not force a tool or attachment to do a job for which it was not designed. The right tool will do the job better and safer.
24. Use recommended accessories; improper accessories may be hazardous.
25. Maintain machinery with care. Follow instructions for lubricating and changing accessories.
26. Turn off the machine before cleaning. Use a brush or compressed air to remove dust or debris — do not use your hands.
27. Do not stand on the machine. Serious injury could occur if the machine tips over.
28. Never leave the machine running unattended. Turn the power off and do not leave the machine until it comes to a complete stop.
29. At all times, hold the stock firmly.
30. Always turn the sander on and allow it to come up to full speed before allowing the workpiece to contact the sanding surface.
31. Make sure to use the appropriate size table insert for the sanding spindle selected.
32. Do not use this machine for other than its intended use. If used for other purposes, DELTA® Power Equipment Corporation disclaims any real or implied warranty and holds itself harmless for any injury or damage which may result from that use.

Familiarize yourself with the following safety notices used in this manual:

⚠ CAUTION:

This means that if precautions are not heeded, it may result in minor injury and/or possible machine damage.

⚠ WARNING:

This means that if precautions are not heeded, it may result in serious injury or possibly even death.

SAVE THESE INSTRUCTIONS.
Refer to them often and use them to instruct others.

POWER CONNECTIONS

A separate electrical circuit should be used for your machines. This circuit should not be less than #12 wire and should be protected with a 20 Amp time lag fuse. If an extension cord is used, use only 3-wire extension cords which have 3-prong grounding type plugs and matching receptacle which will accept the machine's plug. Before connecting the machine to the power line, make sure the switch (s) is in the "OFF" position and be sure that the electric current is of the same characteristics as indicated on the machine. All line connections should make good contact. Running on low voltage will damage the machine.

⚠ DANGER: DO NOT EXPOSE THE MACHINE TO RAIN OR OPERATE THE MACHINE IN DAMP LOCATIONS.

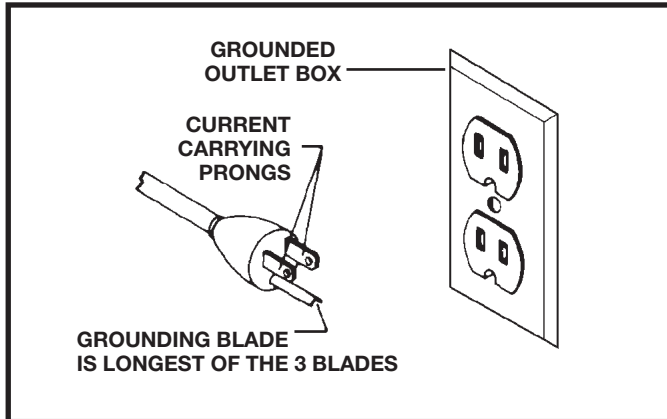


FIG. A

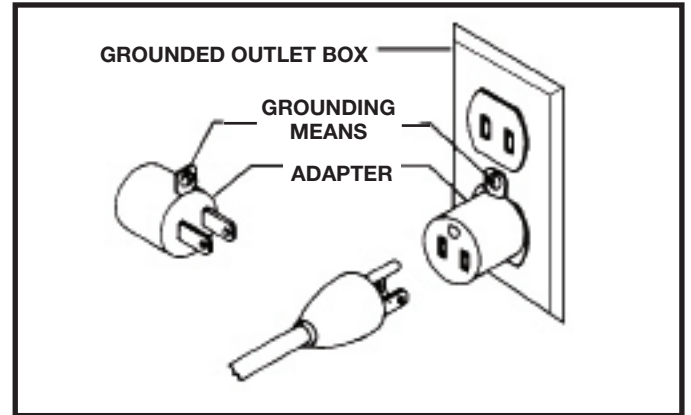


FIG. B

MOTOR SPECIFICATIONS

Your machine is wired for 115 volts, 60 HZ alternating current. Before connecting the machine to the power source, make sure the switch is in the "OFF" position.

GROUNDING INSTRUCTIONS

⚠ DANGER: THIS MACHINE MUST BE GROUNDED WHILE IN USE TO PROTECT THE OPERATOR FROM ELECTRIC SHOCK.

1. All grounded, cord-connected machines:

In the event of a malfunction or breakdown, grounding provides a path of least resistance for electric current to reduce the risk of electric shock. This machine is equipped with an electric cord having an equipment-grounding conductor and a grounding plug. The plug must be plugged into a matching outlet that is properly installed and grounded in accordance with all local codes and ordinances.

Do not modify the plug provided - if it will not fit the outlet, have the proper outlet installed by a qualified electrician.

Improper connection of the equipment-grounding conductor can result in risk of electric shock. The conductor with insulation having an outer surface that is green with or without yellow stripes is the equipment-grounding conductor. If repair or replacement of the electric cord or plug is necessary, do not connect the equipment-grounding conductor to a live terminal.

Check with a qualified electrician or service personnel if the grounding instructions are not completely understood, or if in doubt as to whether the machine is properly grounded.

Use only 3-wire extension cords that have 3-prong grounding type plugs and matching 3-conductor receptacles that accept the machine's plug, as shown in Fig. A.

Repair or replace damaged or worn cord immediately.

⚠ DANGER: IN ALL CASES, MAKE CERTAIN THE RECEPTACLE IN QUESTION IS PROPERLY GROUNDED. IF YOU ARE NOT SURE, HAVE A QUALIFIED ELECTRICIAN CHECK THE RECEPTACLE.

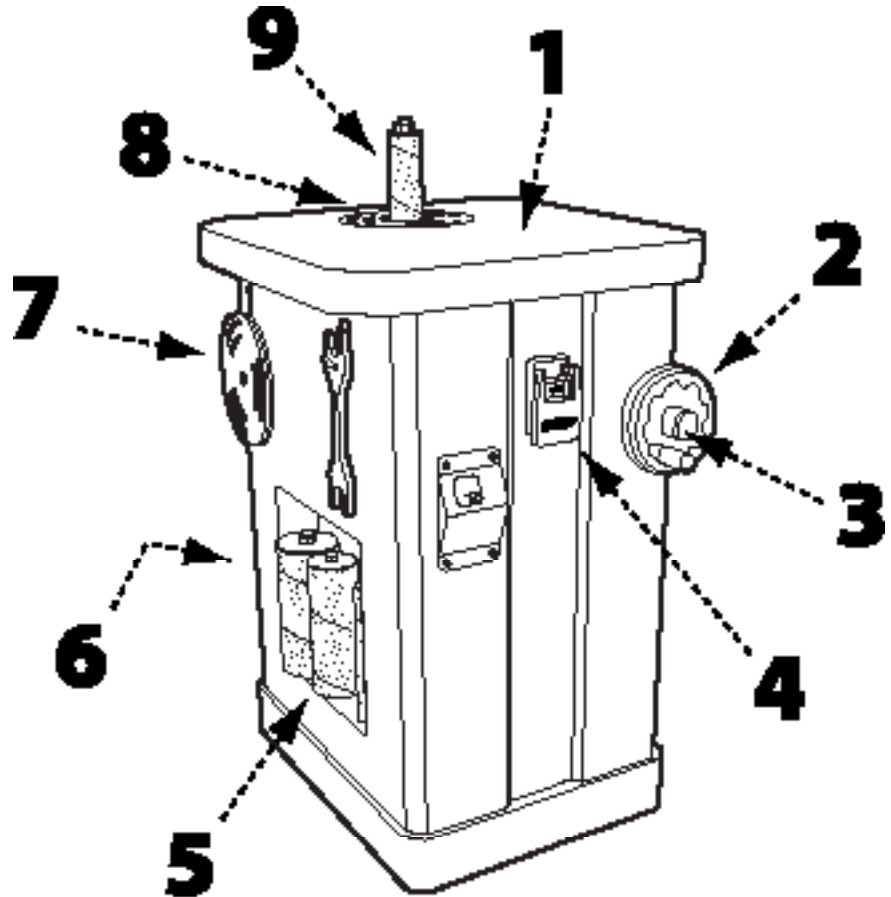
EXTENSION CORDS

⚠CAUTION: Use proper extension cords. Make sure your extension cord is in good condition and is a 3-wire extension cord which has a 3-prong grounding type plug and matching receptacle which will accept the machine's plug. When using an extension cord, be sure to use one heavy enough to carry the current of the machine. An undersized cord will cause a drop in line voltage, resulting in loss of power and overheating. The table shows the correct gauge to use depending on the cord length. If in doubt, use the next heavier gauge. The smaller the gauge number, the heavier the cord.

MINIMUM GAUGE EXTENSION CORD			
RECOMMENDED SIZES FOR USE WITH STATIONARY ELECTRIC MACHINES			
Ampere Rating	Volts	Total Length of Cord in Feet	Gauge of Extension Cord
0-6	120	up to 25	18 AWG
0-6	120	25-50	16 AWG
0-6	120	50-100	16 AWG
0-6	120	100-150	14 AWG
6-10	120	up to 25	18 AWG
6-10	120	25-50	16 AWG
6-10	120	50-100	14 AWG
6-10	120	100-150	12 AWG
10-12	120	up to 25	16 AWG
10-12	120	25-50	16 AWG
10-12	120	50-100	14 AWG
10-12	120	100-150	12 AWG
12-16	120	up to 25	14 AWG
12-16	120	25-50	12 AWG
12-16	120	GREATER THAN 50 FEET NOT RECOMMENDED	

KEY FEATURES AND COMPONENTS

1. Cast iron table
2. Spindle tilt wheel
3. Spindle tilt lock
4. Power switch
5. Spindle storage
6. 4" Dust port (not visible)
7. Table insert storage
8. Interchangeable table insert
9. Tilting sanding spindle



FUNCTIONAL DESCRIPTION

The DELTA® Heavy Duty Oscillating Floor Spindle Sander is designed for sanding or polishing flat, round, or curved surfaces on wood, plastic materials.

PRODUCT SPECIFICATIONS

Oscillation rate	60 Strokes Per Minute (SPM)
Oscillation stroke	1-1/2"
Spindle Speed	1725 RPM
Motor	1 HP, 110V, 10 Amps
Table Size	24 – 5/8" X 24 – 1/2"
Spindle Tilt	0° - 45°
Spindle Size Range	1/4", 3/8", 1/2", 5/8", 3/4", 1", 1-1/2", 2", 3", 4"
Dust Chute	4"
Base Dimensions	24 – 3/4" X 19 – 3/4"
NET Weight	374 Lbs

UNPACKING

▲ WARNING: The machine is heavy, be careful when removing it from the shipping container! Failure to comply may cause serious injury and/or damage to the tool and/or property!

▲ WARNING: This step requires two adults. The machine is heavy, be careful when removing it from the shipping container! Failure to comply may cause serious injury and/or damage to the machine and/or property!

Your DELTA® Heavy Duty Oscillating Floor Spindle Sander comes packed in a single container. Use a safety strap to avoid tip-over when lifting machine. Check shipping carton and machine for damage before unpacking.

1. Carefully cut the banding straps and remove them from the container.
2. Cut along the tape line at the top of the container.
3. Remove any loose parts accessible from the top of the container and set aside.
4. Cut vertically along each of the four sides of the container to fully expose the machine.
5. Remove any loose parts or hardware and set aside.
6. With the help of a second adult, carefully lift the machine off the pallet and onto a level floor surface.
7. Compare all parts to the list below and check that all parts are present and in good condition.

DESCRIPTION (QUANTITY)

- Floor spindle sander (1)
- Motor cover (1)
- Steel spindles and sanding sleeves (4) (Diameter - 1/4", 3/8", 1/2", 5/8")
- Rubber spindles and sanding sleeves (6) (Diameter - 3/4", 1", 1-1/2", 2", 3", 4")
- Oblong table inserts (3 (small, medium, large)
- Round table inserts (3) (small, medium, large)
- Open end spindle wrenches (2)
- Storage hooks (2)
- Spindle tilt wheel (1)
- Spindle tilt retaining knob (1)
- Hardware package (1)
- Owner's manual (1) (not shown)

CONTENTS OF HARDWARE PACKAGE

- 3mm Hex Wrench (1)
- 4mm Hex Wrench (1)
- 6mm Hex Wrench (1)
- 12mm Open Wrench (1)

Report any missing or damaged parts to your distributor or dealer. Prior to tool assembly and use, read this manual thoroughly to familiarize yourself with proper assembly, maintenance and safety procedures.

Remove any protective materials and coatings from all of the parts and the sander. The protective coatings can be removed by spraying WD-40 on them and wiping it off with a soft cloth. This may need redone several times before all of the protective coatings are removed completely.

▲ WARNING: If any parts are missing, do not attempt to plug in the power cord and turn "ON" the machine. The machine should only be turned "ON" after all the parts have been obtained and installed correctly.

ASSEMBLY

ATTACH THE MOTOR COVER

See Figure 1

1. Slide the hinge pins (A) in the motor cover into the hinge holes located on the motor housing.
2. Carefully press in the left side of the motor cover until the knob (B) engages in the opening.
3. Tighten the lock knob on the motor cover.

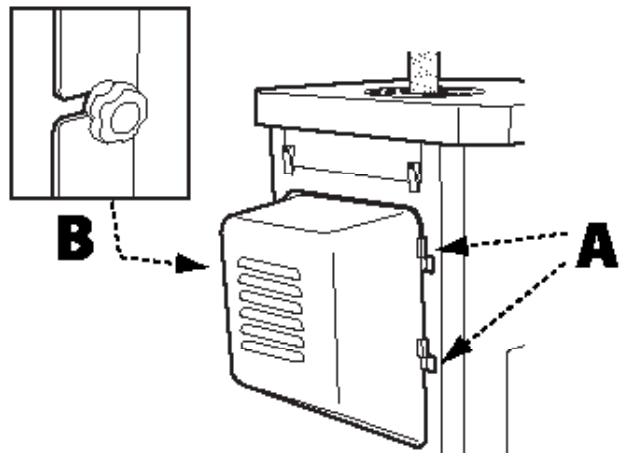


FIGURE 1

ATTACH THE SPINDLE TILT WHEEL

See Figure 2

1. Place the spindle tilt wheel (A) over the threaded shank by aligning the slot in the spindle tilt wheel with the pin in the shank.
2. Attach the knurled spindle tilt retaining knob (B) by screwing it onto the shank.

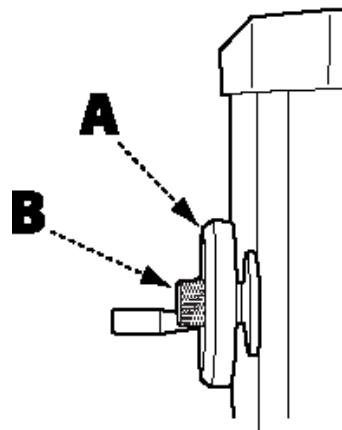


FIGURE 2

ATTACH STORAGE HOOKS

See Figure 3

To protect sanding spindle assemblies and the table inserts, it is recommended that you use the on-board storage to keep them safely out of the way and within easy reach.

The six table inserts and two spindle wrenches can be stored on the left side of the machine. Attach the two storage hooks (A) to the machine using two M5 X 15 Phillips round head screws.

The ten spindle assemblies can be stored in the fitted compartments on either side of the machine.

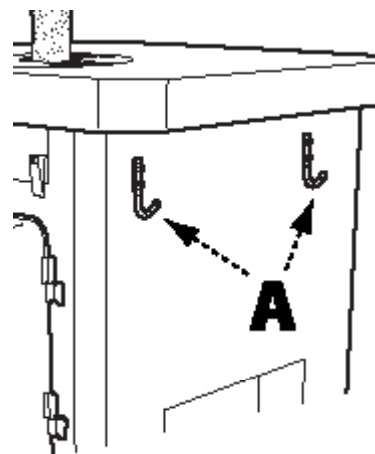


FIGURE 3

ASSEMBLY

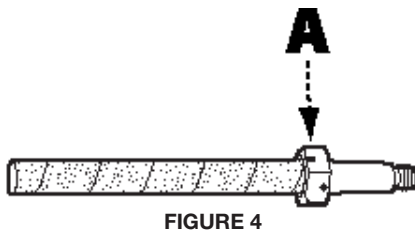
INSTALL SANDING SLEEVES ONTO SPINDLES

6" Steel Spindles

See Figure 4

1. Loosen the small clamping set screw (A) located at the base of the spindle.
2. Slide the sanding sleeve onto the spindle completely, ensuring the sleeve slides into the recess located at bottom of spindle. Ensure the set screw is not hindering the seating of the sanding sleeve and that the sleeve is completely seated.
3. Re-tighten the set screw to secure the sleeve in place
4. To ensure the sleeve is secure on the spindle, pull on the sleeve to make sure it does not slide.

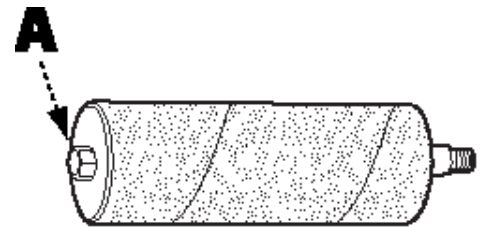
⚠ CAUTION: Do not over tighten the set screw as it may damage the sanding sleeve and can cause the sleeve to come off the spindle during use.



9" Steel Spindles

See Figure 5

1. Slide the sanding sleeve onto the spindle, ensuring the bottom edge of the sleeve is even with the bottom edge of the spindle.
2. Using the open end spindle wrench supplied, tighten the nut (A) on the top of the spindle.
3. To ensure the sleeve is secure on the spindle, pull on it. If the sleeve slides on the spindle, continue tightening the nut at the top in 1/2-turn increments as needed.



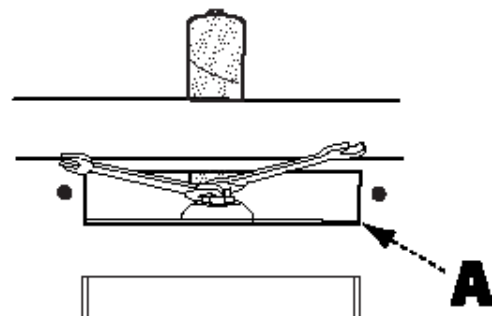
INSTALL THE SPINDLE ONTO THE SANDER

See Figure 6

⚠ CAUTION: Make sure that the switch is in "OFF" position and that the power cord is unplugged.

1. Screw the threaded end of the spindle into the spindle seat and hand tighten.
2. Open the rear access panel (A).
3. Use the two open end spindle wrenches (supplied), one on the spindle and the other on the spindle seat as shown in Figure 6, to tighten.

NOTE: Do not over tighten the spindle as this can make it difficult to remove later.



ASSEMBLY

SELECT AND INSTALL THE TABLE INSERT

⚠CAUTION: Failure to use the proper insert with the corresponding spindle may result in injury and/or damage to the machine or the work piece.

Your DELTA® Heavy Duty Oscillating Floor Spindle Sander comes with six table inserts. The table inserts with the round openings are designed for sanding jobs where the spindle is in the fully upright (90°) position. The table inserts with the oblong openings are for beveled sanding.

1. Using the recommended table inserts shown in Figure 7, select the desired table insert.
2. Slip the table insert over the spindle. Ensure the table insert is properly seated by aligning the small notch in the table insert (A) with the corresponding small tab (B) in the table as shown in Figure 8.

31-484 INSERT/SPINDLE CHART		
INSERT TO USE		
SPINDLE DIAMETER	FOR 0°	FOR 45°
4"	E	F
3"	D	E
2"	D	D
1 1/2"	C	C
1"	B	C
3/4"	B	B
5/8"	A	B
1/2"	A	B
3/8"	A	B
1/4"	A	A

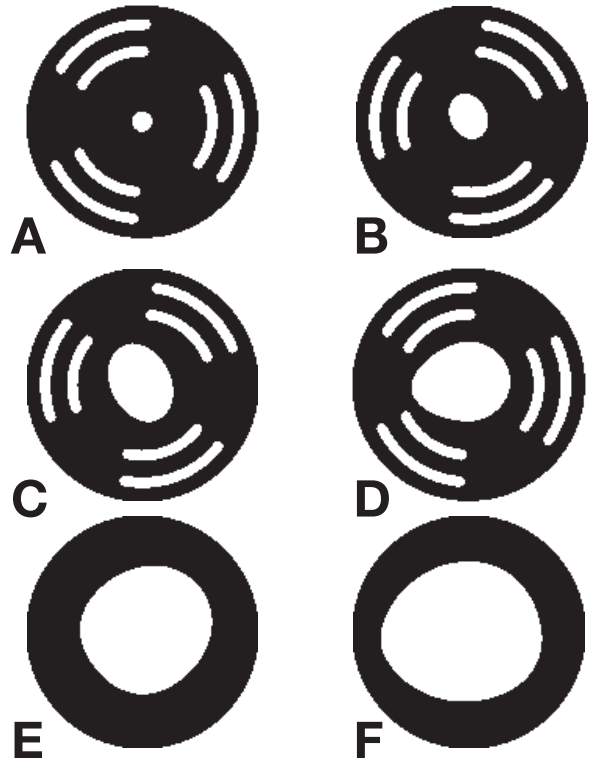


FIGURE 7

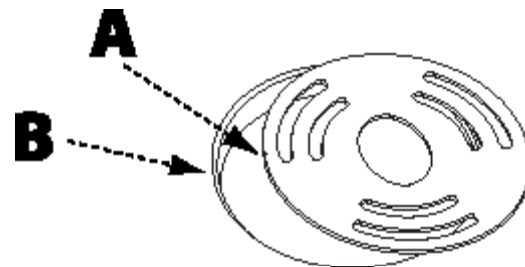


FIGURE 8

ASSEMBLY

SQUARE THE TABLE TO THE SPINDLE

To ensure proper operation and consistent results, the spindle must be square to the table surface. To check the alignment

1. Make sure the spindle tilt indicator is at 90°. If necessary, see instructions for “Adjusting the Spindle Tilt” on page 13 and reposition the spindle to 90°.
2. Use a square with one side flush against the spindle and the other side resting on the table surface to check the alignment of the table relative to the spindle.

If the table is out of square, you must adjust the 90° positive stop. Refer to Figure 9 and do the following:

1. Unlock the lock knob on the motor cover (Figure 1 on page #) and open the cover.
2. Locate the 90° positive stop collar (A) on the long threaded rod (B) that runs front to back on the left side of the machine.

NOTE: There are two stop collars located on the threaded rod. The collar furthest to the rear of the

machine is the 90° positive stop collar.

3. Loosen the 2 set screws on the 90° positive stop collar, using a 3mm hex wrench.
4. Rotate the 90° positive stop collar, re-tighten the set screws and re-measure the table alignment, repeating steps 2 and 3 if necessary until table and spindle are in square.
5. Adjust the spindle tilt indicator to read 90° by unscrewing the four Phillips head screws securing the tilt indicator window to the cabinet and removing the window. Loosen the tilt arrow retaining screw, reposition the arrow, re-tightening the retaining screw.

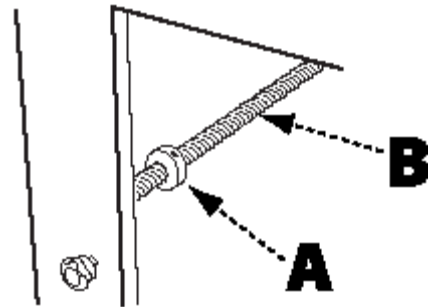


FIGURE 9

CONNECT TO A DUST COLLECTOR

The spindle sander creates a large amount of dust while in use. It is strongly recommended that you connect the spindle sander to a dust collector. Your DELTA® Heavy Duty Oscillating Floor Spindle Sander is equipped with a 4” dust port which is located at the bottom in the rear of the machine. This must be connected to dust collector hoses to ensure safe operation.

⚠ WARNING: Do not attempt to operate this tool without first connecting it to an adequate dust collection system.

⚠ WARNING: Always turn on the dust collector before starting the sander and always stop the sander before turning off the dust collector.

OPERATION

⚠ CAUTION: Failure to read and understand the instructions, warnings and safety guidelines provided in this manual may lead to serious injury and / or damage to machine or the work piece.

⚠ CAUTION: Be sure the sanding spindle is securely installed in the machine.

⚠ CAUTION: Make sure the spindle tilt lock is secured and that the spindle is locked in place at the desired angle or tilt.

⚠ CAUTION: Make sure the machine is installed on a flat, sturdy and stable surface able to support the weight of the machine and the work piece to be sanded.

See Figure 10.

1. Select and install the desired sanding spindle with the corresponding table insert (see page 10).
2. Ensure the spindle is at the correct sanding angle (page 13) and that the spindle position is locked in place.
3. To start the machine, lift the red the safety paddle (A) and push the green "START" button. Wait for the spindle to reach full speed before sanding.
4. Hold the work piece firmly and work from a stable standing position. When the spindle is fully vertical (90°), you may sand from any part of the table. When the spindle is tilted make sure the work piece is positioned on the front half of the table.
5. To achieve the best finish results and to ensure maximum sanding sleeve life, slowly move the work piece back and forth across the entire surface of the sanding spindle
6. To stop the machine, push the red "Stop" button and wait for the spindle to come to a complete stop.

Using the Safety Paddle: Your DELTA® Heavy Duty Oscillating Floor Spindle Sander is equipped with an emergency stop safety paddle, enabling you to easily shut off the machine. To use the Safety Paddle simple depress the paddle.

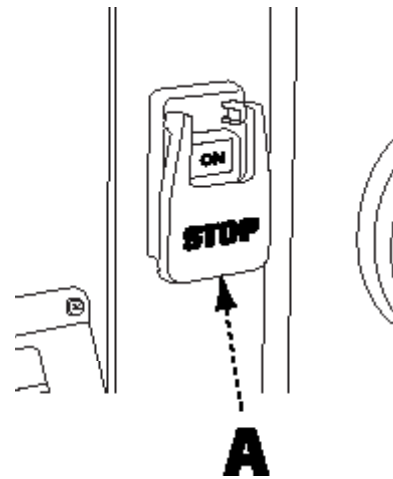


FIGURE 10

ADJUSTMENTS

ADJUST THE SPINDLE TILT

See Figure 11

⚠ CAUTION: For any bevel sanding operation, you must use a table insert with an oblong-shaped opening. Failure to do so may lead to serious injury and / or damage to machine or the work piece.

1. Loosen the spindle tilt lock knob (A).
2. Rotate the spindle tilt wheel (B), using the tilt indicator (C) for reference.
3. Once the spindle is at the desired angle, re-tighten the spindle tilt lock knob.

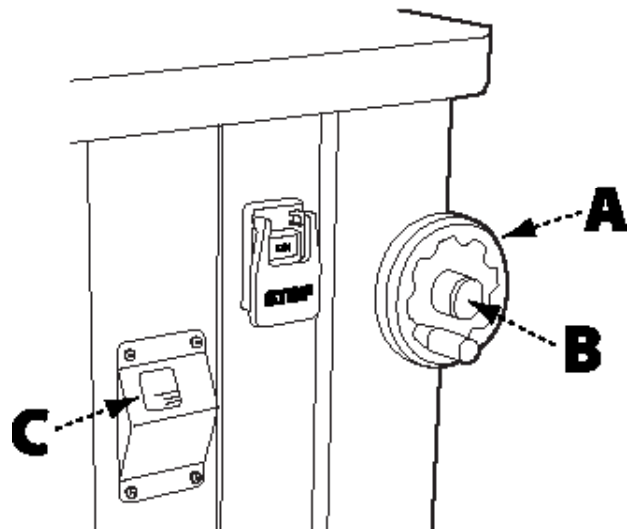


FIGURE 11

ADJUST THE 90° AND 45° POSITIVE STOPS

See Figure 6

To adjust the 90° positive stop, see the section “SQUARE THE TABLE TO THE SPINDLE” on page 11.

To adjust the 45° positive stop, refer to Figure 12 and do the following:

NOTE: The 90° stop must be adjusted and squared to table **BEFORE** the 45° stop can be adjusted.

1. Verify the spindle is square to the table surface and the tilt indicator is set to 90°.
2. Unlock the spindle tilt lock knob and rotate the spindle tilt wheel until the tilt indicator reaches 45°.
3. Locate and remove the rubber access plug (A) on the right side of the machine.
4. Using a 3 mm Allen wrench, loosen the 2 set screws on the 45° positive stop collar (B).
5. Hold the collar in place with the wrench and rotate the spindle tilt wheel. This will reposition the 45° positive stop collar on the threaded rod.
6. Using a measuring triangle, check the angle of the spindle to the table, repeating step 4 above until the spindle is at a 45° angle to the table.
7. Tighten the 45° positive stop collar set screw and replace the access plug.
8. Lock the spindle tilt lock knob.

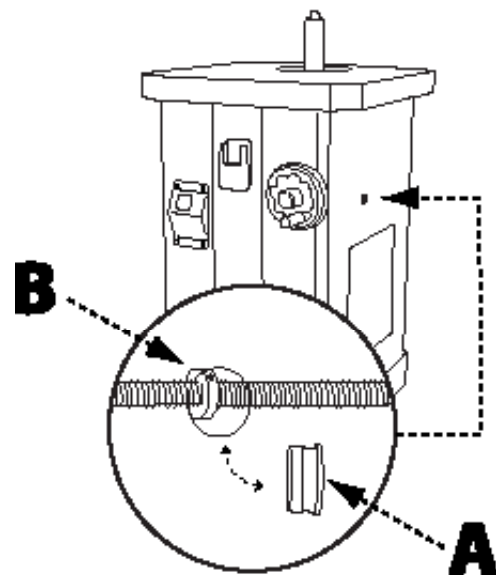


FIGURE 12

RECOMMENDED MAINTENANCE

ROUTINE INSPECTION

It is recommended that you periodically inspect your spindle sander as a precautionary action. During this time, check for the following:

- Inspect all hardware, fittings and fasteners that may have loosened due to vibration and re-tighten as needed.
- Check for dust and/or wood particles that may have accumulated on or in the machine. Check all dust collection fittings – re-tighten as needed.
- Inspect the ON/OFF SWITCH for damage before each use. Periodically inspect the power cord and plug for damage. If necessary replace the power cord and the plug at the first signs of visible damage.
- Check all table inserts, spindles and sanding sleeves for damage and replace if necessary.

BEARINGS

This floor spindle sander features factory-sealed bearings. A sealed bearing requires no lubrication during its lifetime. Should a bearing fail, your spindle sander will probably develop a noticeable rumble, which will increase when the machine is put under load. Bearings must be replaced when this occurs.

TO CHANGE THE GEAR OIL:

See Figure 13

Gear oil should be changed at 800 hours of use with a high-quality 90 Wt. SAE gear oil. The oil level sight glass (B) is located at the back of the gear box (A), on the left side near the motor. The sander takes approximately 2 quarts. The oil level should be checked at least monthly and oil added when indicated in the oil level sight glass. The oil fill cap is on top of the gear box and is visible as you look down on the spindle.

1. Open the access door located on the rear panel of the cabinet.
2. The oil drain valve and drainage tube (C) are located on the left side of the gear box. Place a catch basin beneath the clear drain line and open the valve to drain the gear oil.
3. Close the valve, remove the catch basin, and close the access door on the cabinet.

IMPORTANT: Check your local and/or state environmental codes to ensure that you properly dispose of all used oil.

4. Locate the oil fill cap. It is located on top of the gear box and is visible as you look down on the spindle. To provide easier access to the fill cap, remove the spindle.
5. Refill the gear box using a high quality 90-weight SAE gear lube oil.
6. Replace fill cap.

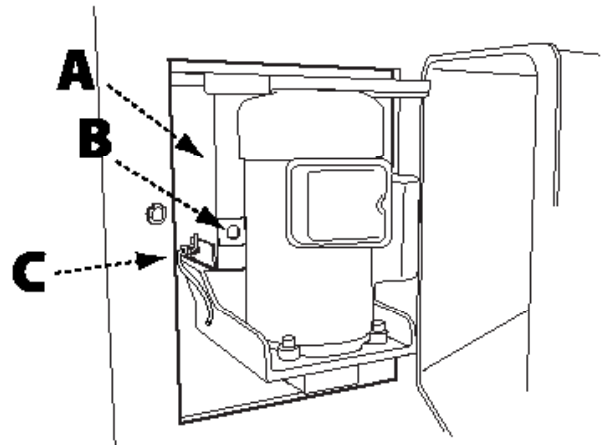


FIGURE 13

ACCESSORIES

A complete line of accessories is available from your DELTA® Supplier, DELTA® Factory Service Centers, and DELTA® Factory Service Centers, and DELTA® Authorized Service Centers. Please visit our Web Site www.DeltaMachinery.com for an online catalog or for the name or your nearest supplier.

⚠ WARNING:

Since accessories other than those offered by DELTA® have not been tested with this product, use of such accessories could be hazardous. For safest operation, only DELTA® recommended accessories should be used with this product.

SERVICE AND REPAIRS

All quality tools will eventually require servicing and/or replacement of parts. For information about DELTA® Power Equipment Corporation, its factory-owned branches, or to locate an Authorized Warranty Service Center, visit our website at www.DeltaMachinery.com/service or call our Customer Care Center at 1-800-223-7278. All repairs made by our service centers are fully guaranteed against defective material and workmanship. We cannot guarantee repairs made or attempted by others. By calling this number you can also find answers to most frequently asked questions.

You can also write to us for information at DELTA® Power Equipment Corporation, 2651 New Cut Road, Spartanburg, SC 29303 - Attention: Technical Service Manager. Be sure to include all of the information shown on the nameplate of your tool (model number, type, serial number, date code, etc.)

WARRANTY

To register your tool for warranty service visit our website at www.DeltaMachinery.com.

Five Year Limited New Product Warranty

DELTA® will repair or replace, at its expense and at its option, any new DELTA® machine, machine part, or machine accessory which in normal use has proven to be defective in workmanship or material, provided that the customer returns the product prepaid to a DELTA® factory service center or authorized service station with proof of purchase of the product within five years and provides DELTA® with reasonable opportunity to verify the alleged defect by inspection. For all refurbished DELTA® product, the warranty period is 180 days. DELTA® will not be responsible for any asserted defect which has resulted from normal wear, misuse, abuse or repair or alteration made or specifically authorized by anyone other than an authorized DELTA® service facility or representative. Under no circumstances will DELTA® be liable for incidental or consequential damages resulting from defective products. Some states do not allow the exclusion or limitation of incidental or consequential damages, so the above limitation or exclusion may not apply to you. This warranty is DELTA®'s sole warranty and sets forth the customer's exclusive remedy, with respect to defective products; all other warranties, express or implied, whether of merchantability, fitness for purpose, or otherwise, are expressly disclaimed by DELTA®. For further detail of warranty coverage and warranty repair information, visit www.DeltaMachinery.com or call 1-800-223-7278. This warranty gives you specific legal rights and you may have other rights which vary in certain states or provinces.

LATIN AMERICA: This warranty does not apply to products sold in Latin America. For products sold in Latin America, see country specific warranty information contained in the packaging, call the local company or see website for warranty information.



PARTS, SERVICE OR WARRANTY ASSISTANCE

All DELTA® machines and accessories are manufactured to high quality standards and are serviced by a network of DELTA® Factory Service Centers and DELTA® Authorized Service Centers. To obtain additional information regarding your DELTA® quality product or to obtain parts, service, warranty assistance, or the location of the nearest service center, please call 1-800-223-7278.

REPLACEMENT PARTS

Use only identical replacement parts. For a parts list or to order parts, visit our website at www.DeltaMachinery.com/service. You can also order parts from your nearest factory-owned branch, Authorized Warranty Service Center or by calling Technical Service Manager at 1-800-223-7278 to receive personalized support from one of our highly-trained representatives.

FREE WARNING LABEL REPLACEMENT

If your warning labels become illegible or are missing, call 1-800-223-7278 for a free replacement.

⚠ WARNING ⚠

For Your Own Safety, Read Instructions Manual Before Operating Sander

1. Wear eye protection
2. Support work piece with backstop or work table
3. Maintain 1/16 inch maximum clearance between table and sanding belt. DPEC000493

SAFETY RULES

DON'T EXPOSE TO RAIN OR USE IN RAIN.
CAREFULLY READ INSTRUCTION MANUAL BEFORE OPERATING MACHINE.
DO NOT OPERATE WITHOUT ALL GUARDS AND COVERS IN POSITION.
BE SURE MACHINE IS ELECTRICALLY GROUNDED.
REMOVE OR FASTEN LOOSE ARTICLES OF CLOTHING SUCH AS NECKTIES, ETC. CONFINE HAIR.
REMOVE JEWELRY SUCH AS FINGER RINGS, WATCHES, BRACELETS, ETC.
USE SAFETY FACE SHIELD, GOGGLES, OR GLASSES TO PROTECT EYES AND OTHER PERSONAL SAFETY EQUIPMENT AS REQUIRED.
STOP MACHINE BEFORE MAKING ADJUSTMENTS OR CLEANING CHIPS FROM WORK AREA.
KEEP THE FLOOR AROUND THE MACHINE CLEAN AND FREE FROM SCRAPS, SAWDUST, OIL OR GREASE TO MINIMIZE THE DANGER OF SLIPPING.

DPEC000667

CONSIGNES DE SÉCURITÉ IMPORTANTES

⚠ AVERTISSEMENT : ASSUREZ-VOUS D'AVOIR BIEN LU ET COMPRIS TOUTES LES MISES EN GARDE ET LES CONSIGNES D'UTILISATION AVANT D'UTILISER CET ÉQUIPEMENT. Le fait de ne pas respecter toutes les instructions ci-dessous pourrait causer une électrocution, des incendies, et/ou des blessures personnelles ou des dommages matériels graves.

La meuleuse peut être dangereuse si des procédures d'utilisation sécuritaires et adéquates ne sont pas respectées. Comme c'est le cas pour toute pièce de machinerie, l'utilisation de ce produit comporte certains dangers. En utilisant cet appareil selon les directives et avec prudence, vous réduirez de façon importante les risques de blessures corporelles. Cependant, si les précautions normales de sécurité sont négligées ou ignorées, la personne qui utilise l'appareil pourrait être blessée. L'équipement de protection comme les gardes, les poussoirs, les dispositifs de retenue, les planches de protection, les lunettes de sécurité, les masques antipoussières et la protection pour l'ouïe peut réduire le risque de blessure. Cependant, même le meilleur dispositif de protection ne peut compenser un mauvais jugement, un manque de prudence ou d'inattention. *Utilisez toujours le bon sens* et soyez prudent dans l'atelier. Si une manœuvre a l'air dangereuse, ne l'effectuez pas. Essayez plutôt de trouver un moyen plus facile. **RAPPELEZ-VOUS :** vous êtes responsable de votre sécurité personnelle. Pour des renseignements complémentaires, rendez-vous sur notre site Web à l'adresse suivante www.DeltaMachinery.com.



⚠ AVERTISSEMENT : Cet appareil a été conçu seulement pour certaines utilisations. DELTA^{MD} Power Equipment Corporation recommande fortement que cet appareil ne soit pas modifié ni utilisé pour toutes autres fins que celles pour lesquelles il a été conçu. Si vous avez des questions sur une utilisation en particulier, N'UTILISEZ PAS l'appareil avant d'avoir d'abord communiqué avec DELTA^{MD} pour déterminer si cette utilisation peut ou si elle devrait être faite sur ce produit.

Si vous avez des questions relativement à son utilisation, N'UTILISEZ PAS le produit tant que vous n'aurez pas communiqué par écrit avec DELTA^{MD} Power Equipment Corporation et obtenu une réponse de sa part. Contactez-nous en ligne à www.DeltaMachinery.com ou par courrier à l'adresse suivante : Responsable du service technique, DELTA^{MD} Power Equipment Corporation, 2651 New Cut Road, Spartanburg, SC 29303.

Des renseignements au sujet de l'utilisation sécuritaire et appropriée de cet appareil sont disponibles auprès des sources suivantes :

- Power Tool Institute, 1300 Sumner Avenue, Cleveland, OH 44115-2851 ou en ligne sur www.powertoolinstitute.com
- National Safety Council, 1121 Spring Lake Drive, Itasca, IL 60143-3201
- American National Standards Institute, 25 West 43rd Street, 4 floor, New York, NY 10036 www.ansi.org - ANSI 01.1 Safety Requirements for Woodworking Machines
- Réglementation du Département américain du travail (OSHA) à l'adresse www.osha.gov

CONSIGNES DE SÉCURITÉ - DÉFINITIONS

Ce manuel contient des renseignements qu'il est important de connaître et de comprendre. Ces renseignements ont pour but d'assurer VOTRE SÉCURITÉ et de PRÉVENIR LES PROBLÈMES D'ÉQUIPEMENT. Pour vous aider à reconnaître ces renseignements, nous utilisons les symboles ci-dessous. Veuillez lire le manuel et prêter attention à ces sections.

⚠ DANGER : Indique une situation extrêmement dangereuse qui, si elle n'est pas évitée, entraînera la mort ou une blessure grave.

⚠ AVERTISSEMENT : Indique une situation potentiellement dangereuse qui, si elle n'est pas évitée, pourrait entraîner la mort ou une blessure grave.

⚠ ATTENTION : Indique une situation potentiellement dangereuse qui, si elle n'est pas évitée, peut entraîner une blessure mineure ou modérée.

ATTENTION : Utilisé sans le symbole d'avertissement, indique une situation potentiellement dangereuse qui, si elle n'est pas évitée, peut endommager l'appareil.

RÈGLES DE SÉCURITÉ GÉNÉRALES

▲ AVERTISSEMENT : LE NON-RESPECT DE CES RÈGLES PEUT ENTRAÎNER DES BLESSURES PERSONNELLES GRAVES.

- **POUR VOTRE PROPRE SÉCURITÉ, ASSUREZ-VOUS D'AVOIR BIEN LU ET COMPRIS LE MANUEL D'UTILISATION AVANT DE FAIRE FONCTIONNER L'APPAREIL.** Apprenez à connaître son domaine d'utilisation et ses limites, ainsi que les dangers qui lui sont rattachés.
- **MAINTENEZ L'AIRE DE TRAVAIL PROPRE.** Les aires et les bancs de travail encombrés sont propices aux accidents.
- **NE PAS UTILISER DANS UN ENVIRONNEMENT DANGEREUX.** N'utilisez pas cet appareil dans un endroit humide ou mouillé, et ne l'exposez pas à la pluie. Gardez votre lieu de travail bien éclairé.
- **MAINTENEZ LES ENFANTS ET LES VISITEURS À L'ÉCART.** Tous les enfants et visiteurs doivent demeurer à une distance sécuritaire de l'aire de travail.
- **DÉBRANCHEZ L'APPAREIL** avant toute opération d'entretien.
- **VÉRIFIEZ LA PRÉSENCE DE PIÈCES ENDOMMAGÉES.** Avant d'utiliser l'appareil, bien réparer ou remplacer toute pièce endommagée.

▲ AVERTISSEMENT : LE NON-RESPECT DE CES RÈGLES PEUT ENTRAÎNER DES BLESSURES GRAVES.

1. Assurez-vous de lire et comprendre les avertissements affichés sur l'appareil et dans ce manuel. Le non respect de tous ces avertissements peut entraîner des blessures graves.
2. Remplacez les étiquettes d'avertissement si elles sont masquées ou supprimées.
3. Cet appareil est conçu pour l'utilisation par un personnel qualifié et expérimenté seulement. En cas de non familiarité avec le bon fonctionnement sécuritaire d'une scie à ruban, ne pas l'utiliser avant d'avoir reçu la formation et les connaissances appropriées.
4. Ne pas utiliser cet appareil pour autre chose que son usage prévu. S'il est utilisé à d'autres fins, DELTA® Power Equipment Corporation décline toute garantie réelle ou implicite et se dégage de toute responsabilité pour toute blessure qui pourrait résulter de cette utilisation.
5. Portez toujours des lunettes/un masque de protection agréés durant l'utilisation de cette ponceuse à broche oscillante.
6. Avant d'utiliser cette ponceuse, enlevez cravate, bagues, montres et autres bijoux, et retrousser vos manches au-dessus du coude. Retirez tous les vêtements amples et retenez les cheveux longs. Il est recommandé de porter des chaussures antidérapantes ou de poser des bandes de plancher antidérapantes. Ne portez pas de gants.
7. Portez des protecteurs pour l'ouïe (bouchons ou manchons) pendant les longues périodes de fonctionnement.
8. Certaines poussières créées par le ponçage mécanique, le sciage, le broyage, le perçage et d'autres activités de construction contiennent des produits chimiques identifiés comme causes de cancer, d'anomalies congénitales ou d'autres préjudices liés à la reproduction. En voici des exemples :
 - plomb de peintures à base de plomb;
 - silice cristalline de briques, de ciment et d'autres produits de maçonnerie;
 - arsenic et chrome de bois de sciage traité chimiquement.
9. N'utilisez pas cet appareil en état de fatigue ou avec les facultés affaiblies par la drogue, l'alcool ou les médicaments.
10. Avant de brancher l'appareil sur la source d'alimentation, assurez-vous que l'interrupteur est en position « OFF » (Arrêt).
11. Assurez-vous que l'appareil est correctement mis à la terre.
12. Ne faites les réglages de l'appareil ou son entretien que lorsque celui-ci est débranché de la source d'alimentation.
13. Prenez l'habitude de vérifier que tout l'équipement supplémentaire tel que les clés de réglage, les clés à molette, la ferraille, le matériel et les chiffons de nettoyage a été éloigné de l'appareil avant de le mettre en marche.
14. Gardez les dispositifs de protection en place en tout temps lorsque l'appareil est utilisé. Faites preuve d'une extrême prudence s'ils sont enlevés à des fins d'entretien et remettez-les en place dès la fin de l'entretien.
15. Assurez-vous que l'outil est solidement fixé sur une surface de travail stable avant de l'utiliser.
16. Vérifiez si des pièces sont endommagées. Avant d'utiliser l'appareil, il faut vérifier soigneusement le dispositif de protection ou toute autre pièce endommagée afin de s'assurer que l'appareil fonctionnera correctement et remplira sa fonction prévue. Vérifiez l'alignement des pièces mobiles et leurs joints, tout bris de pièce et du cadrage et toute autre condition qui pourrait en modifier le fonctionnement. Un garde ou une autre pièce endommagée doivent être réparés ou remplacés sans tarder.
17. Prévoyez un espace suffisant autour de la zone de travail et un éclairage en plongée non éblouissant.

suite à la page 18

18. Gardez le plancher autour de l'appareil propre et exempt de débris, d'huile et de graisse.
19. Gardez les visiteurs à une distance sécuritaire de la zone de travail. Tenez les enfants à distance.
20. Rendez votre atelier à l'épreuve des enfants au moyen de cadenas, de commutateurs principaux ou en retirant les clés de mise en marche.
21. Concentrez-vous uniquement sur le travail. Regarder aux alentours, tenir une conversation et faire du chahut sont des actes négligents qui peuvent entraîner des blessures graves.
22. Maintenez une position équilibrée en tout temps afin de ne pas tomber ou de ne pas vous appuyer sur l'outil ou sur ses pièces mobiles. Évitez de vous étirer ou d'utiliser une force excessive pour effectuer toute opération avec l'appareil.
23. Utilisez l'outil approprié à la bonne vitesse et au bon débit. Ne forcez pas un outil ou un accessoire à effectuer une tâche pour laquelle il n'a pas été conçu. Le bon outil fera mieux le travail et sera plus sécuritaire.
24. Utilisez les pièces recommandées ; les accessoires inadéquats peuvent être dangereux.
25. Entretenez les appareils avec soin. Suivez les indications relatives à la lubrification et au changement d'accessoire.
26. Débranchez l'appareil avant le nettoyage. Utilisez une brosse ou de l'air comprimé pour enlever la poussière ou des débris ; n'utilisez pas vos mains.
27. Ne vous tenez pas debout sur l'appareil. Des blessures graves pourraient se produire si l'appareil se renverse.
28. Ne jamais laisser l'appareil sans surveillance lorsqu'il est en marche. Débranchez l'appareil et ne le laissez pas sans surveillance jusqu'à son arrêt complet.
29. Tenez la poignée fermement en tout temps.
30. Mettez toujours la ponceuse en marche et attendez jusqu'à ce qu'elle atteigne sa pleine vitesse avant de laisser la pièce à travailler entrer en contact avec la surface de ponçage.
31. Assurez-vous d'utiliser un insert de table d'une taille appropriée pour la plaque d'insertion sélectionnée.
32. N'utilisez pas cet outil pour d'autres fins que celles pour lesquelles il est prévu. S'il est utilisé à d'autres fins, DELTA^{MD} Power Equipment Corporation décline toute garantie réelle ou implicite et se dégage de toute responsabilité pour toute blessure qui pourrait résulter de cette utilisation.

Familiarisez-vous avec les règles de sécurité enseignées dans ce manuel :

▲ ATTENTION :

Cela signifie que le non-respect des précautions peut entraîner des blessures superficielles et/ou endommager l'appareil.

▲ AVERTISSEMENT :

Cela signifie que le non-respect des précautions peut causer des blessures graves pouvant même entraîner la mort.

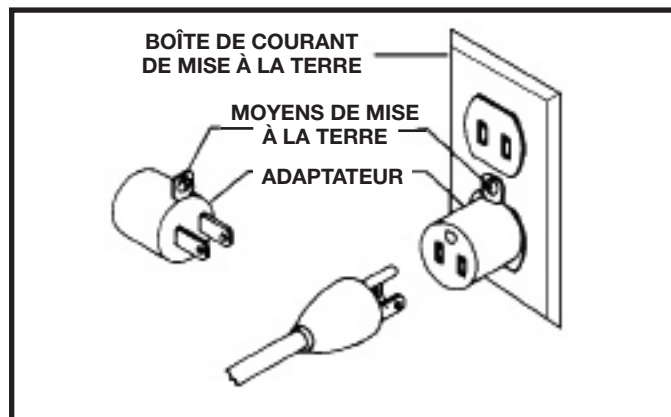
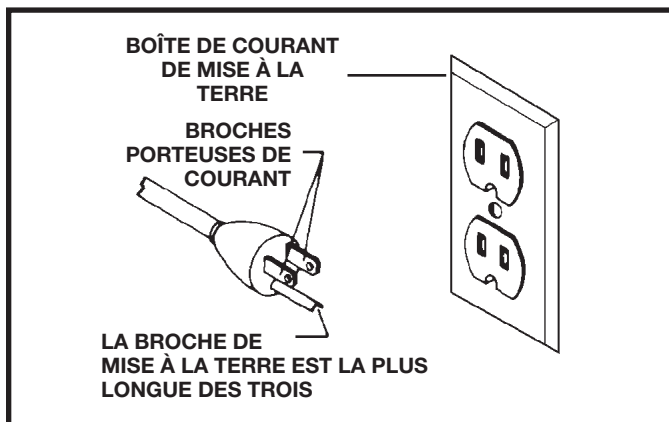
CONSERVER CES CONSIGNES.

Consultez-les souvent et utilisez-les pour enseigner aux autres.

RACCORDEMENTS ÉLECTRIQUES

Un circuit électrique séparé devrait être utilisé pour vos appareils. Les fils du circuit doivent être au moins de calibre 12 et être protégés par un fusible à action différée de 20 ampères. Si vous utilisez une rallonge, ne prenez que des rallonges à trois fils avec des fiches de mise à la terre à trois broches et le réceptacle correspondant qui acceptera la fiche de l'appareil. Avant de brancher l'appareil sur l'alimentation, assurez-vous que le commutateur est en position « OFF » (« Arrêt ») et que le courant électrique que vous allez utiliser possède les mêmes caractéristiques que celui indiqué sur l'appareil. Tous les raccordements doivent établir un bon contact. Une utilisation en basse tension endommagera l'appareil.

▲ DANGER : NE PAS UTILISER L'APPAREIL DANS UN ENDROIT HUMIDE OU MOUILLÉ ET NE PAS L'EXPOSER À LA PLUIE.



SPÉCIFICATIONS DU MOTEUR

Votre appareil est câblé pour un courant alternatif de 120/240 V, 60 Hz. Avant de brancher l'appareil à la source d'alimentation, assurez-vous que l'interrupteur est en position « OFF » (Arrêt).

INSTRUCTIONS DE MISE À LA TERRE

▲ DANGER : CET APPAREIL DOIT ÊTRE MIS À LA TERRE LORSQU'IL EST UTILISÉ POUR PROTÉGER L'OPÉRATEUR CONTRE L'ÉLECTROCUTION.

1. Pour tous les appareils branchés par un cordon d'alimentation et mis à la terre :

En cas de mauvais fonctionnement ou de panne, la mise à la terre fournit un chemin de moindre résistance au courant électrique visant à réduire le risque d'électrocution. Cet appareil est équipé d'un cordon électrique possédant un conducteur de terre et une fiche de terre. La fiche doit être branchée sur une prise correctement installée et mise à la terre conformément à tous les codes et règlements locaux.

Ne pas modifier la fiche prévue. Si elle n'entre pas dans la prise, faire installer une prise appropriée par un électricien agréé.

Le raccordement inapproprié du conducteur de terre de l'équipement peut provoquer l'électrocution. Le fil conducteur avec un isolant comportant une surface extérieure verte, avec ou sans rayures jaunes, est le conducteur de terre. Si la réparation ou le remplacement du cordon électrique ou de la fiche est nécessaire, ne branchez pas le conducteur de terre à une borne sous tension.

Si les consignes de mise à la terre ne sont pas complètement comprises ou en cas de doute concernant la mise à la terre de l'appareil, se renseigner auprès d'un électricien ou du personnel de service agréés.

Utiliser uniquement des rallonges à trois fils avec des fiches de mise à la terre à trois broches et des réceptacles à 3 conducteurs adaptés à la fiche de l'appareil, comme indiqué à la Fig. A.

Réparer et remplacer immédiatement tout cordon endommagé ou usé.

▲ DANGER : DANS TOUS LES CAS, ASSUREZ-VOUS QUE LE RÉCEPTACLE EN QUESTION EST BIEN RELIÉ À LA TERRE. SI VOUS N'ÊTES PAS CERTAIN, FAITES VÉRIFIER LE RÉCEPTACLE PAR UN ÉLECTRICIEN QUALIFIÉ.

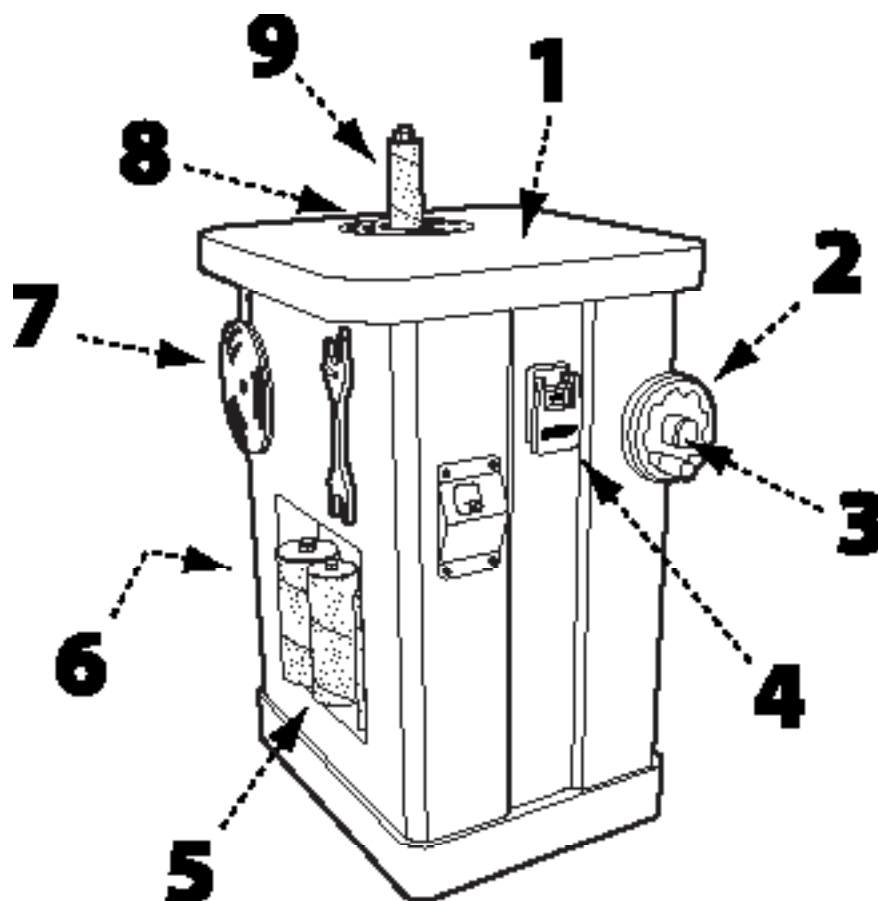
RALLONGES

⚠ ATTENTION : Utilisez des rallonges appropriées. Assurez-vous que la rallonge est en bon état et qu'il s'agit d'une rallonge à trois fils avec une fiche de mise à la terre à trois broches et d'un réceptacle correspondant à la fiche de l'appareil. Lorsque vous utilisez une rallonge, assurez-vous qu'elle soit de calibre suffisamment élevé pour assurer l'alimentation de l'appareil. Une rallonge d'un calibre trop petit provoquera une chute de tension, entraînant une perte de puissance et une surchauffe. Le tableau indique le bon calibre à utiliser en fonction de la longueur de la rallonge. En cas de doute, utiliser le calibre immédiatement supérieur. Plus le numéro de calibre est petit, plus le cordon est épais.

CALIBRE MINIMUM POUR RALLONGE			
CALIBRES RECOMMANDÉS POUR UTILISATION SUR DES APPAREILS ÉLECTRIQUES STATIONNAIRES			
Intensité	Volts	Longueur totale du cordon en mètres (pieds)	Calibre de la rallonge
0-6	120	jusqu'à 7,6 (25)	18 AWG
0-6	120	7,6-15,2 (25-50)	16 AWG
0-6	120	15,2-30,5 (50-100)	16 AWG
0-6	120	30,5-45,7 (100-150)	14 AWG
6-10	120	jusqu'à 7,6 (25)	18 AWG
6-10	120	7,6-15,2 (25-50)	16 AWG
6-10	120	15,2-30,5 (50-100)	14 AWG
6-10	120	30,5-45,7 (100-150)	12 AWG
10-12	120	jusqu'à 7,6 (25)	16 AWG
10-12	120	7,6-15,2 (25-50)	16 AWG
10-12	120	15,2-30,5 (50-100)	14 AWG
10-12	120	30,5-45,7 (100-150)	12 AWG
12-16	120	jusqu'à 7,6 (25)	14 AWG
12-16	120	7,6-15,2 (25-50)	12 AWG
12-16	120	UNE LONGUEUR DE PLUS DE 15,2 MÈTRES (50 PIEDS) N'EST PAS RECOMMANDÉE.	

CARACTÉRISTIQUES ET COMPOSANTES IMPORTANTES

1. Table en fonte
2. Volant d'inclinaison de la broche
3. Verrou d'inclinaison de la broche
4. Interrupteur d'alimentation
5. Rangement pour broches
6. Port de poussière de 12,9 cm (4 po) (non visible)
7. Rangement des inserts de table
8. Insert de table interchangeable
9. Broche de ponçage inclinable



DESCRIPTION FONCTIONNELLE

La ponceuse à broche oscillante sur pied haute résistance DELTA® est conçue pour le ponçage ou le polissage des surfaces plates ou rondes sur les matériaux en bois et en plastique.

CARACTÉRISTIQUES DU PRODUIT

Fréquence d'oscillation	60 courses par minute
Course d'oscillation	38,1 mm (1-1/2 po)
Vitesse de rotation de la broche	1725 TR/MIN
Moteur	1 HP, 110 V, 10 Ampères
Taille de la table	62,5 cm x 62,2 cm (24 – 5/8 po X 24 – 1/2 po)
Inclinaison de la broche	0° - 45°
Gamme du diamètre de la broche	6,4 mm (1/4 po), 9,5 mm (3/8 po), 12,7 mm (1/2 po), 15,9 mm (5/8 po), 19,1 mm (3/4 po), 25,4 mm (1 po), 38,1 mm (1-1/2 po), 50,8 mm (2 po), 76,2 mm (3 po), 101,6 mm (4 po)
Capteur de poussière	101,6 mm (4 po)
Dimensions de la base	62,9 cm x 50,2 cm (24 – 3/4 po X 19 – 3/4 po)
Poids NET	374 lb

DÉBALLAGE

⚠ AVERTISSEMENT : L'appareil est lourd, soyez prudent lorsque vous le retirez de l'emballage d'expédition! Le non-respect de cette consigne peut entraîner de graves blessures et/ou des dommages à l'appareil et/ou des dommages matériels!

⚠ AVERTISSEMENT : Cette étape nécessite deux adultes. L'appareil est lourd, soyez prudent lorsque vous le retirez de l'emballage d'expédition! Le non-respect de cette consigne peut entraîner de graves blessures et/ou des dommages à l'appareil et/ou des dommages matériels!

Votre ponceuse à broche oscillante sur pied haute résistance DELTA® est livrée dans un seul conteneur. Placez une sangle de sécurité autour de l'appareil pour éviter qu'il ne bascule lors du levage. Vérifiez que l'emballage d'expédition et l'appareil ne sont pas endommagés avant de le déballer.

1. Coupez soigneusement les sangles et retirez-les du conteneur.
2. Coupez le long de la ligne du ruban adhésif sur le dessus du conteneur.
3. Retirez toutes les pièces détachées accessibles du dessus du conteneur et mettez-les de côté.
4. Coupez verticalement le long des quatre côtés du conteneur pour faire apparaître entièrement la machine.
5. Retirez toutes les pièces détachées ou le matériel et mettez-les de côté.
6. Avec l'aide d'un autre adulte, enlevez prudemment la machine de la palette et posez-la sur une surface au sol plane.
7. Comparez toutes les pièces à la liste ci-dessous et vérifiez que toutes les pièces sont présentes et en bon état.

DESCRIPTION (QUANTITÉ)

- Ponceuse à broche sur pied (1) (petite, moyenne, grande)
- Couvercle du moteur (1)
- Broches et manchons de ponçage en acier (4) (6,4 mm (1/4 po), 9,5 mm (3/8 po), 12,7 mm (1/2 po), 15,9 mm (5/8 po) de diamètre)
- Broches et manchons de ponçage en caoutchouc (6) (19,1 mm (3/4 po), 25,4 mm (1 po), 38,1 mm (1-1/2 po), 50,8 mm (2 po), 76,2 mm (3 po), 101,6 mm (4 po) de diamètre)
- Inserts de table oblongues (3)
- Inserts de table rondes (3) (petite, moyenne, grande)
- Clés de broche à fourches (2)
- Crochets de rangement (2)
- Volant d'inclinaison de la broche (1)
- Bouton de retenue d'inclinaison de la broche (1)
- Matériel (1)
- Manuel de l'utilisateur (1) (non illustré)

CONTENU DU MATÉRIEL

- Clé hexagonale de 3 mm (1)
- Clé hexagonale de 4 mm (1)
- Clé hexagonale de 6 mm (1)
- Clé à fourche de 12 mm (1)

Signalez toute pièce manquante ou endommagée à votre distributeur ou revendeur. Avant de passer à l'assemblage de l'appareil et à son utilisation, lisez attentivement le présent manuel pour vous familiariser avec les procédures d'assemblage, d'entretien et de sécurité appropriées.

Retirez tout matériau de protection et tout enduit de protection de différents éléments et de la ponceuse. Les enduits de protection peuvent être enlevés en les pulvérisant avec du WD-40 et en les essuyant avec un chiffon doux. Il peut être nécessaire de répéter cette étape plusieurs fois avant que tous les enduits de protection soient complètement enlevés.

⚠ AVERTISSEMENT : S'il y a des pièces manquantes, n'essayez pas de brancher le cordon d'alimentation et de mettre l'appareil en marche. L'appareil doit seulement être mis en marche (« ON ») quand toutes les pièces auront été obtenues et correctement installées.

MONTAGE

FIXER LE COUVERCLE DU MOTEUR

Voir Figure 1

1. Faites glisser les axes de charnières (A) du couvercle du moteur dans les orifices de charnières sur le boîtier du moteur.
2. Appuyez prudemment sur le côté gauche du couvercle du moteur jusqu'à ce que le bouton (B) s'engage dans l'ouverture.
3. Serrez le bouton de verrouillage sur le couvercle du moteur.

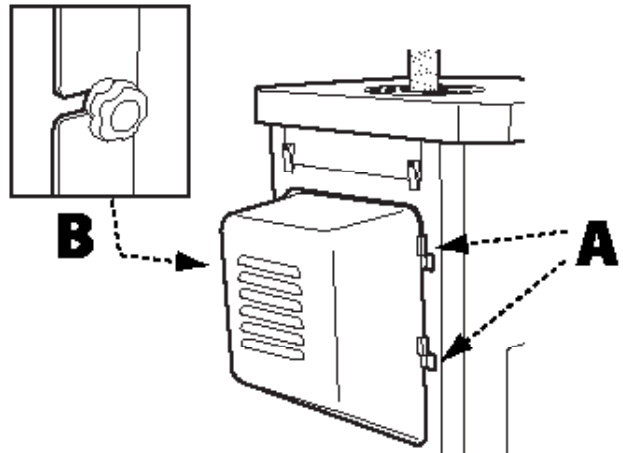


FIGURE 1

FIXER LE VOLANT D'INCLINAISON DE LA BROCHE

Voir Figure 2

1. Placez le volant d'inclinaison de la broche (A) sur la queue filetée en alignant la fente du volant d'inclinaison de la broche avec le goujon dans la queue.
2. Fixez le bouton de retenue moleté de l'inclinaison de la broche (B) en le vissant sur la queue.

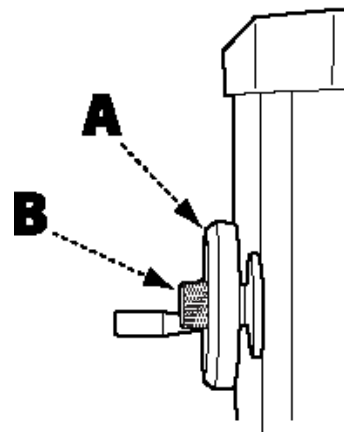


FIGURE 2

FIXER LES CROCHETS DE RANGEMENT

Voir Figure 3

Pour protéger les assemblages de broche de ponçage et les inserts de table, il est recommandé d'utiliser le rangement intégré pour les conserver en toute sécurité et à portée de main.

Les six inserts de table et les deux clés de broche peuvent être rangés du côté gauche de la machine. Fixez les deux crochets de rangement (A) à la machine en utilisant deux vis à tête ronde Phillips M5 x 15.

Les dix assemblages de broche peuvent être rangés dans les compartiments intégrés de chaque côté de la machine.

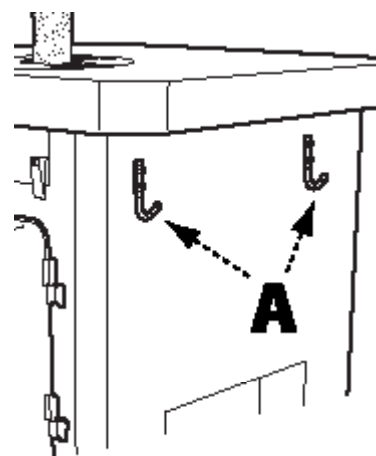


FIGURE 3

INSTALLEZ LES MANCHONS DE PONÇAGE SUR LES BROCHES

Broches en acier de 15,2 cm (6 po)

Voir Figure 4

1. Desserrez la petite vis de fixation (A) située à la base de la broche.
2. Faites glisser entièrement le manchon de ponçage sur la broche, en vous assurant que le manchon glisse dans le logement situé en bas de la broche. Assurez-vous que la vis de fixation ne fait pas obstacle à l'appui du manchon de ponçage et que le manchon est bien en place.
3. Revissez la vis de fixation pour fixer le manchon en place.
4. Pour vous assurer que le manchon est bien fixé sur la broche, tirez sur le manchon pour vérifier qu'il ne glisse pas.

⚠ ATTENTION : Ne vissez pas trop la vis de fixation car cela pourrait endommager le manchon de ponçage et le manchon pourrait se détacher de la broche au cours de l'utilisation.



FIGURE 4

Broches en acier de 22,9 cm (9 po)

Voir Figure 5

1. Glissez le manchon de ponçage sur la broche, en vous assurant que l'extrémité inférieure du manchon est au même niveau que l'extrémité inférieure de la broche.
2. À l'aide de la clé à fourche fournie, serrez l'écrou (A) sur le dessus de la broche.
3. Pour vous assurer que le manchon est bien fixé sur la broche, tirez sur le manchon. Si le manchon glisse sur la broche, continuez à serrer l'écrou sur le dessus de la broche par demi-tours autant de fois que cela est nécessaire.

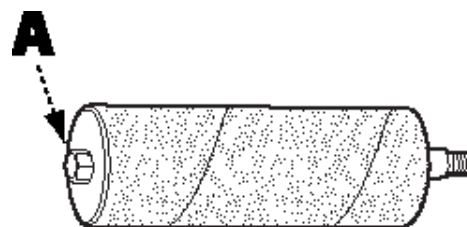


FIGURE 5

INSTALLER LA BROCHE SUR LA PONÇEUSE

Voir Figure 6

⚠ ATTENTION : Assurez-vous que le commutateur est sur « OFF » (« Arrêt ») et que le cordon d'alimentation est débranché.

1. Vissez l'embout fileté de la broche dans l'emplacement de la broche et serrez manuellement.
2. Ouvrez le panneau d'accès arrière (A).
3. Utilisez les deux clés à fourches de broche (fournies), une sur la broche et l'autre sur l'emplacement de la broche comme illustré dans la figure 6, pour visser.

REMARQUE : Ne serrez pas trop la broche, cela pourrait engendrer des difficultés pour la retirer plus tard.

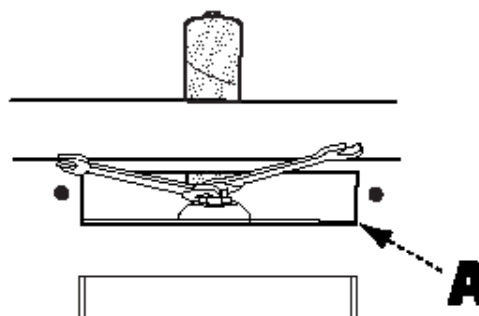


FIGURE 6

SÉLECTIONNER ET INSTALLER L'INSERT DE TABLE

⚠ ATTENTION : Le fait de ne pas utiliser le bon insert avec la broche correspondante peut causer des blessures et/ou endommager l'appareil ou la pièce de travail.

Votre ponceuse à broche oscillante sur pied haute résistance DELTA® est livrée avec six inserts de table. Les inserts de table avec les ouvertures rondes sont conçus pour les tâches de sablage où la broche est en position entièrement verticale (à 90°). Les inserts de table avec les ouvertures oblongues sont conçus pour les tâches de sablage en biseau.

1. En utilisant les inserts de table recommandés qui sont illustrés à la Figure 7, sélectionnez l'insert de table désiré.
2. Faites glisser l'insert de table sur la broche. Assurez-vous que l'insert de table est correctement placé en alignant la petite rainure de l'insert de table (A) avec le petit onglet correspondant (B) dans la table, comme illustré à la Figure 8.

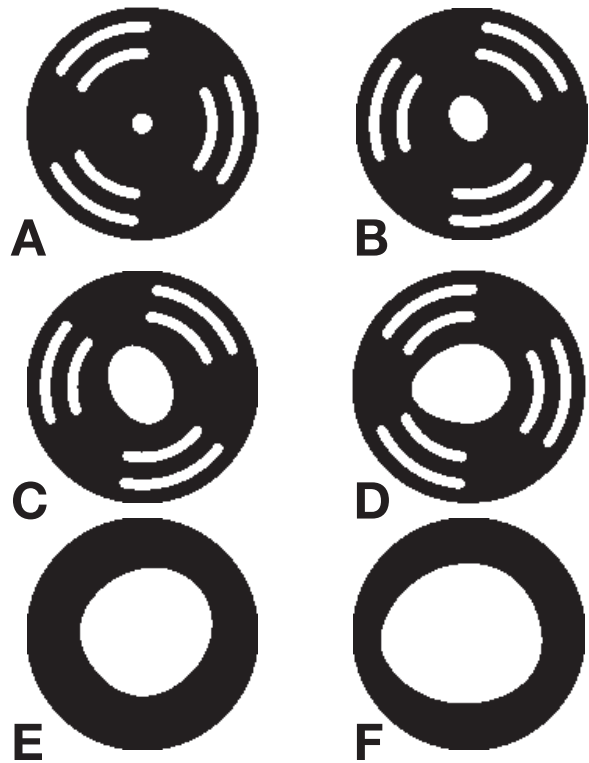


FIGURE 7

TABLEAU DES INSERTS/BROCHES 31-484		
INSERT À UTILISER		
DIAMÈTRE DE LA BROCHE	POUR 0°	POUR 45°
101,6 mm (4 po)	E	F
76,2 mm (3 po)	D	E
50,8 mm (2 po)	D	D
38,1 mm (1-1/2 po)	C	C
25,4 mm (1 po)	B	C
19,1 mm (3/4 po)	B	B
15,9 mm (5/8 po)	A	B
12,7 mm (1/2 po)	A	B
9,5 mm (3/8 po)	A	B
6,4 mm (1/4 po)	A	A

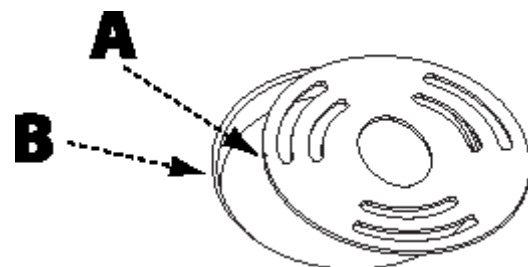


FIGURE 8

AJUSTER L'ANGLE DE LA TABLE À LA PONCEUSE

Pour garantir un fonctionnement correct et des résultats constants, la broche doit être alignée avec la surface de la table. Pour vérifier l'alignement

1. Assurez-vous que l'indicateur d'inclinaison de la broche est à 90°. Si nécessaire, lisez les instructions pour « Régler l'inclinaison de la broche » à la page 13 et repositionnez la broche à 90°.
2. Utilisez une équerre avec un côté accolé à la broche et l'autre côté posé sur la surface de la table pour vérifier l'alignement de la table par rapport à la broche.

Si la table n'est pas alignée, vous devez ajuster la butée fixe à 90°. Reportez-vous à la Figure 9 et réalisez les étapes suivantes :

1. Déverrouillez le bouton de verrouillage sur le couvercle du moteur (Figure 1 à la page #) et ouvrez le couvercle.
2. Placez le collet de butée fixe à 90° (A) sur la longue tige filetée (B) qui va de l'avant à l'arrière du côté gauche de la machine.

REMARQUE : Il y a deux collets de butée sur la tige filetée. Le collet le plus éloigné de l'arrière de la machine est le collet de butée fixe à 90°.

3. Dévissez les 2 vis de fixation sur le collet de butée à 90° à l'aide d'une clé hexagonale de 3 mm.
4. Faites pivoter le collet de butée fixe à 90°, revissez les vis de fixation et mesurez à nouveau l'alignement de la table, répétez les étapes 2 et 3 si nécessaire jusqu'à ce que la table et la broche soient alignées.
5. Réglez l'indicateur d'inclinaison de la broche à 90° en dévissant les quatre vis à tête ronde Phillips qui fixent la fenêtre de l'indicateur d'inclinaison à l'armoire et retirez la fenêtre. Dévissez la vis de retenue de la flèche d'inclinaison, remplacez la flèche, revissez la vis de retenue.

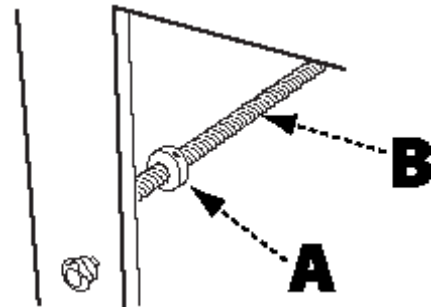


FIGURE 9

CONNEXION DU COLLECTEUR DE POUSSIÈRE

La ponceuse à broche génère une grande quantité de poussière pendant son utilisation. Il est fortement recommandé de raccorder la ponceuse à broche à un collecteur de poussière. Votre ponceuse à broche oscillante sur pied haute résistance DELTA® est équipée d'un port de poussière de 4 po situé en bas à l'arrière de la machine. Il doit être relié à des tuyaux collecteurs de poussière pour assurer un fonctionnement sécuritaire.

⚠ AVERTISSEMENT : Ne faites pas fonctionner cet appareil sans l'avoir préalablement relié à un système adéquat de collecte de la poussière.

⚠ AVERTISSEMENT : Allumez toujours le collecteur de poussière avant de commencer le ponçage, et arrêtez toujours la ponceuse avant d'éteindre le collecteur de poussière.

FONCTIONNEMENT

⚠ ATTENTION : Le fait de ne pas lire et comprendre les instructions, les avertissements et les consignes de sécurité fournis dans ce manuel peut causer de graves blessures et/ou endommager l'appareil ou la pièce de travail.

⚠ ATTENTION : Assurez-vous que la broche de ponçage est solidement fixée sur l'appareil.

⚠ ATTENTION : Assurez-vous que le verrou d'inclinaison de la broche est bien fixé et que la broche est verrouillée selon l'angle ou l'inclinaison désirés.

⚠ ATTENTION : Assurez-vous que l'appareil est installé sur une surface plane, robuste et stable capable de supporter le poids de l'appareil et de la pièce à poncer.

Voir Figure 10.

1. Sélectionnez et installez la broche de ponçage désirée avec l'insert de table correspondant (voir page 10).
2. Assurez-vous que la broche est à l'angle de ponçage correct (page 13) et que la position de la broche est verrouillée en place.
3. Pour démarrer l'appareil, levez la poignée de sécurité rouge (A) et appuyez sur le bouton vert « START » (« Démarrer »). Attendez que la broche ait atteint sa vitesse maximale avant de poncer.
4. Tenez la pièce fermement et travaillez en adoptant une position debout stable. Quand la broche est entièrement verticale (90 °), vous pouvez poncer sur n'importe quelle partie de la table. Quand la broche est inclinée, assurez-vous que la pièce est positionnée sur la moitié supérieure de la table.
5. Pour obtenir la meilleure finition possible et pour maximiser la durée de vie du manchon de ponçage, faites des allers-retours lents avec la pièce sur la totalité de la surface de la broche de ponçage.
6. Pour arrêter l'appareil, appuyez sur le bouton rouge « Stop » (« Arrêt ») et attendez que la broche soit entièrement arrêtée.

Au moyen de la poignée de sécurité : Votre ponceuse à broche oscillante sur pied haute résistance DELTA® est équipée d'une poignée de sécurité d'arrêt d'urgence vous permettant d'éteindre facilement la machine. Pour utiliser la poignée de sécurité, abaissez simplement la poignée.

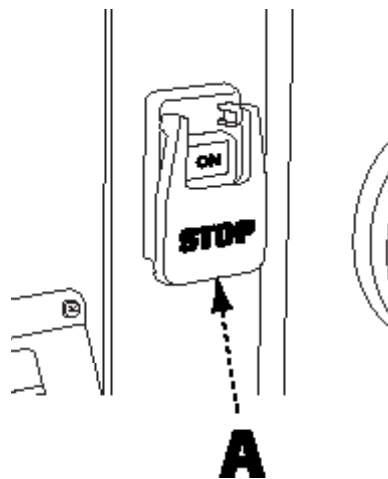


FIGURE 10

AJUSTEMENTS

AJUSTER L'INCLINAISON DE LA BRO

Voir Figure 11

⚠ ATTENTION : Pour toute opération de ponçage en biseau, vous devez utiliser un insert de table avec une ouverture de forme oblongue. Sans quoi, vous pouvez causer de graves blessures et/ou endommager l'appareil ou la pièce de travail.

1. Desserrez le bouton de verrouillage d'inclinaison de la broche (A).
2. Tournez le volant d'inclinaison de la broche (B) en utilisant l'indicateur d'inclinaison (C) comme référence.
3. Une fois que la broche est à l'angle souhaité, resserrez le bouton de verrouillage d'inclinaison de la broche.

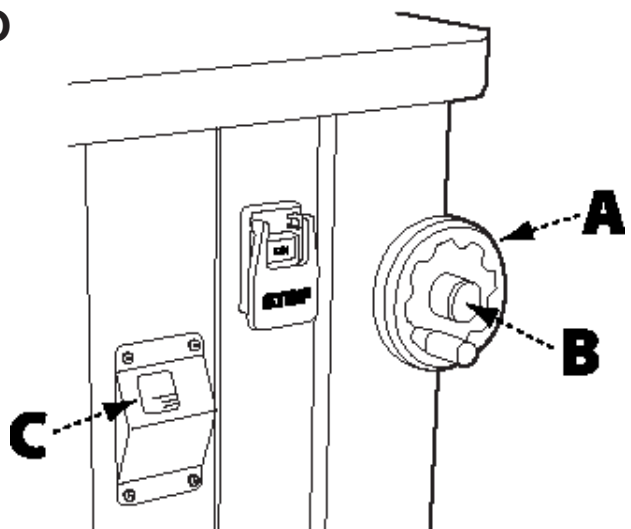


FIGURE 11

AJUSTER LES BUTÉES FIXES À 90° ET 45°

Voir Figure 6

Pour ajuster la butée fixe à 90°, consultez la section « PLACER LA TABLE EN ÉQUERRE AVEC LA PONCEUSE » à la page 11.

Pour ajuster la butée positive à 45°, reportez-vous à la Figure 12 et réalisez les étapes suivantes :

REMARQUE : La butée à 90° doit être ajustée et alignée à la table **AVANT** de régler la butée à 45°.

1. Vérifiez que la broche est alignée à la surface de la table et que l'indicateur d'inclinaison est réglé à 90°.
2. Déverrouillez le bouton de verrouillage d'inclinaison de la broche et tournez le volant d'inclinaison de la broche jusqu'à ce que l'indicateur d'inclinaison atteigne 45°.
3. Cherchez et retirez le bouchon d'accès en caoutchouc (A) sur le côté droit de la machine.
4. Au moyen d'une clé hexagonale de 3 mm, dévissez les 2 vis de fixation sur le collet de butée fixe à 45° (B).
5. Maintenez le collet en place avec la clé et tournez le volant d'inclinaison de la broche. Cela repositionnera le collet de butée fixe à 45° sur la tige filetée.
6. Au moyen d'un triangle gradué, vérifiez l'angle de la broche à la table, répétez l'étape 4 ci-dessus jusqu'à ce que la broche soit à un angle de 45° par rapport à la table.
7. Vissez la vis de fixation du collet de butée fixe à 45° et remplacez le bouchon d'accès.
8. Verrouillez le bouton de verrouillage d'inclinaison de la broche.

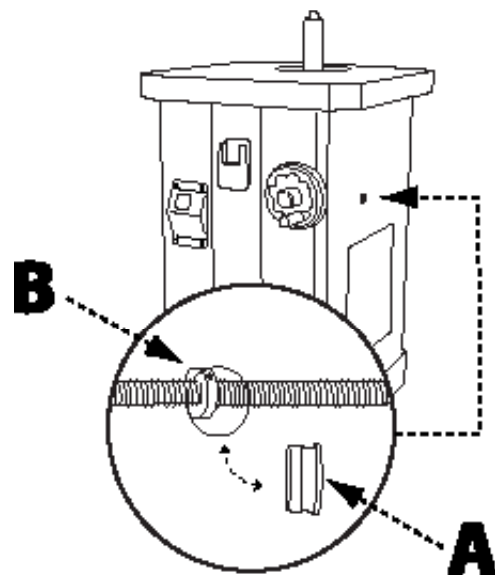


FIGURE 12

RECOMMANDATIONS D'ENTRETIEN

INSPECTION DE ROUTINE

Il est recommandé de vérifier périodiquement votre ponceuse à broche à titre préventif. Ce faisant, vérifiez les points suivants :

- Inspectez tous les matériels, raccords et attaches qui peuvent s'être relâchés en raison des vibrations et resserrez-les au besoin.
- Vérifiez la présence de poussière et/ou de particules de bois qui peuvent s'être accumulées sur ou dans l'appareil. Vérifiez tous les raccords du collecteur de poussière, et resserrez-les au besoin.
- Inspectez les COMMUTATEURS « ON/OFF » (« Marche/Arrêt ») avant chaque utilisation pour vérifier qu'ils ne sont pas endommagés. Inspectez périodiquement le cordon d'alimentation et la fiche pour vérifier qu'ils ne sont pas endommagés. Si nécessaire, remplacez le cordon d'alimentation et la fiche aux premiers signes visibles de dommages.
- Contrôlez tous les inserts de table, les broches et les manchons de ponçage pour vérifier qu'ils ne sont pas endommagés et remplacez-les si nécessaire.

PALIERS

Cette ponceuse à broche sur pied est équipée de paliers scellés en usine. Un palier scellé en usine ne requiert aucun graissage pendant sa durée de vie. Si un palier est défaillant, votre ponceuse à broche grondera probablement de façon perceptible, bruit qui augmentera si une charge est appliquée à la machine. Les paliers doivent être remplacés si cela se produit.

POUR CHANGER L'HUILE POUR ENGRENAGES :

Voir Figure 13

L'huile pour engrenages doit être changée à 800 heures d'utilisation avec une huile haute qualité SAE 90% pds. L'indicateur de niveau d'huile (B) est situé à l'arrière de la boîte à engrenages (A), sur le côté gauche près du moteur. La ponceuse nécessite approximativement 2 litres. Le niveau d'huile doit être contrôlé au moins une fois par mois et de l'huile doit être ajoutée selon le niveau de l'indicateur de niveau d'huile. Le bouchon de remplissage d'huile se situe sur le dessus de la boîte à engrenages et il est visible lorsque vous regardez en bas de la broche.

1. Ouvrez la porte d'accès située sur le panneau arrière de l'armoire.
2. Le robinet de purge d'huile et le tuyau de drainage (C) sont situés sur le côté gauche de la boîte à engrenages. Placez un bassin collecteur sous le tuyau de drainage et ouvrez le robinet pour purger l'huile pour engrenages.
3. Fermez le robinet, retirez le bassin collecteur et fermez la porte d'accès sur l'armoire.

IMPORTANT : Consultez les codes environnementaux locaux et/ou de votre État pour mettre au rebut correctement l'huile usagée.

4. Cherchez le bouchon de remplissage d'huile. Il se situe sur le dessus de la boîte à engrenages et il est visible lorsque vous regardez en bas de la broche. Pour accéder facilement au bouchon de remplissage, retirez la broche.
5. Remplissez la boîte à engrenages avec de l'huile de graissage d'engrenages haute qualité SAE 90% pds.
6. Remplacez le bouchon de remplissage.

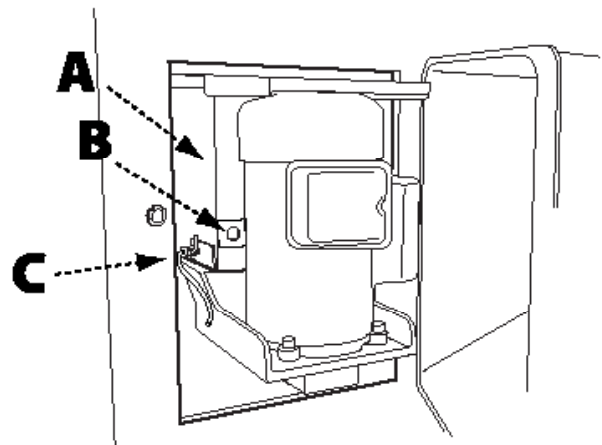


FIGURE 13

ACCESSOIRES

Une gamme complète d'accessoires peut être obtenue auprès de votre fournisseur DELTA^{MD}, des centres de service du fabricant DELTA^{MD}, des centres de service du fabricant DELTA^{MD}, et des centres de services agréés DELTA^{MD}. Rendez-vous sur notre site Web www.DeltaMachinery.com pour obtenir un catalogue en ligne ou pour connaître le nom du fournisseur le plus près de chez vous.

⚠ AVERTISSEMENT : Étant donné que les accessoires autres que ceux offerts par DELTA^{MD} n'ont pas été testés avec ce produit, leur utilisation pourrait s'avérer dangereuse. Pour assurer une utilisation plus sécuritaire, seuls les accessoires recommandés par DELTA^{MD} devraient être utilisés avec ce produit.

Pour l'enregistrement de votre outil auprès du service de la garantie, rendez-vous sur notre site à l'adresse www.DeltaMachinery.com.

Garantie limitée de cinq ans pour les produits neufs

DELTA^{MD} réparera ou remplacera, à ses frais et à sa discrétion, tout nouvel appareil, pièce ou accessoire de l'appareil de DELTA^{MD} qui, pour une usure normale, est jugé défectueux en raison d'un défaut de fabrication ou de matériau, à condition que le client retourne le produit prépayé à un centre de service du fabricant ou à un centre de service autorisé DELTA^{MD} avec une preuve d'achat du produit dans les cinq ans après l'achat et offre à DELTA^{MD} une occasion raisonnable de vérifier le défaut allégué au moyen d'une inspection. Pour tous les produits DELTA^{MD} reconditionnés, la durée de garantie est de 180 jours. DELTA^{MD} ne peut être tenu responsable de tout défaut confirmé issu de l'usure normale, d'une mauvaise utilisation, d'abus ou de réparations ou d'altérations faites ou expressément autorisées par quiconque autre qu'un centre de service ou un représentant de DELTA^{MD} autorisé. En aucun cas, DELTA^{MD} ne pourra être tenu pour responsable des dommages directs ou indirects résultant de produits défectueux. Certains États ne permettant pas l'exclusion ou la limitation des dommages directs ou indirects, la limitation ou exclusion peut ne pas s'appliquer à votre cas. Cette garantie est la seule garantie de DELTA^{MD}, et elle devient le recours exclusif du client en ce qui concerne les produits défectueux; toute autre garantie, expresse ou implicite, que ce soit de la valeur marchande, de la capacité de remplir une fonction ou autre, est expressément exclue par DELTA^{MD}. Pour plus de renseignements sur la couverture de la garantie et des informations sur les réparations sous garantie, rendez-vous sur notre site à l'adresse www.DeltaMachinery.com ou appelez le 1 800 223-7278. Cette garantie vous donne des droits légaux spécifiques et vous pouvez avoir d'autres droits qui sont différents selon les États ou provinces.

AMÉRIQUE LATINE : La présente garantie ne s'applique pas aux produits vendus en Amérique latine. Pour les produits vendus en Amérique latine, veuillez consulter les renseignements au sujet de la garantie pour un pays particulier figurant sur l'emballage, appeler la compagnie locale ou consulter notre site Web pour plus de renseignements au sujet de la garantie.

AIDE POUR LES PIÈCES, LE SERVICE OU LA GARANTIE

Tous les appareils et accessoires DELTA^{MD} sont fabriqués selon des normes de qualité élevées et sont soutenus par un réseau de centres de service du fabricant DELTA^{MD} et des centres de services DELTA^{MD} autorisés. Pour en savoir davantage sur votre produit de qualité DELTA^{MD} ou pour obtenir des pièces, du service, de l'aide concernant la garantie ou l'emplacement du centre de service le plus près de chez vous, veuillez composer le 1 800 223-7278.

PIÈCES DE RECHANGE

Utilisez uniquement des pièces de rechange identiques. Pour obtenir une liste de pièces ou commander des pièces, rendez-vous sur notre site à l'adresse www.DeltaMachinery.com/service. Vous pouvez aussi commander des pièces auprès de votre représentant local, du centre de service de garantie autorisé ou en appelant le responsable du service technique au 1 800 223-7278 pour recevoir une assistance personnalisée de la part d'un de nos représentants hautement qualifié.

REPLACEMENT GRATUIT DES ÉTIQUETTES DE MISE EN GARDE

Si vos étiquettes de mise en garde sont devenues illisibles ou si vous les avez perdues, composez le 1 800 223-7278 pour un remplacement gratuit.

⚠ WARNING ⚠

For Your Own Safety, Read Instructions Manual Before Operating Sander

1. Wear eye protection
2. Support work piece with backstop or work table
3. Maintain 1/16 inch maximum clearance between table and sanding belt. DPEC000493

SAFETY RULES

DON'T EXPOSE TO RAIN OR USE IN RAIN.
CAREFULLY READ INSTRUCTION MANUAL BEFORE OPERATING MACHINE.

DO NOT OPERATE WITHOUT ALL GUARDS AND COVERS IN POSITION.
BE SURE MACHINE IS ELECTRICALLY GROUNDED.

REMOVE OR FASTEN LOOSE ARTICLES OF CLOTHING SUCH AS NECKTIES, ETC. CONFINE HAIR.

REMOVE JEWELRY SUCH AS FINGER RINGS, WATCHES, BRACELETS, ETC.

USE SAFETY FACE SHIELD, GOGGLES, OR GLASSES TO PROTECT EYES AND OTHER PERSONAL SAFETY EQUIPMENT AS REQUIRED.

STOP MACHINE BEFORE MAKING ADJUSTMENTS OR CLEANING CHIPS FROM WORK AREA.

KEEP THE FLOOR AROUND THE MACHINE CLEAN AND FREE FROM SCRAPS, SAWDUST, OIL OR GREASE TO MINIMIZE THE DANGER OF SLIPPING.

DPEC000667

SERVICE ET RÉPARATIONS

Tous les outils de qualité auront besoin de service et/ou d'un remplacement de pièces à un moment donné. Pour des renseignements au sujet de DELTA^{MD} Power Equipment Corporation, ses filiales en usine ou pour trouver un centre de service de garantie autorisé, rendez-vous sur notre site à l'adresse www.DeltaMachinery.com/service ou appelez notre service à la clientèle au 1 800 223-7278. Toutes les réparations réalisées par nos centres de service sont entièrement garanties contre les défauts de matériau et de fabrication. Nous ne pouvons garantir les réparations réalisées ou tentées par d'autres. En appelant ce numéro, vous pouvez également obtenir des réponses aux questions les plus fréquemment posées.

Pour obtenir plus de renseignements, vous pouvez aussi nous écrire à l'adresse DELTA^{MD} Power Equipment Corporation, 2651 New Cut Road, Spartanburg, SC 29303 - Attention: Responsable du service technique. Assurez-vous de fournir tous les renseignements présents sur la plaque de votre outil (numéro de modèle, type, numéro de série, code de date, etc.)

INSTRUCCIONES IMPORTANTES DE SEGURIDAD

⚠ ADVERTENCIA: LEA Y COMPRENDA TODAS LAS ADVERTENCIAS E INSTRUCCIONES DE OPERACIÓN ANTES DE USAR ESTE EQUIPO. No cumplir con todas las instrucciones enumeradas a continuación puede causar una descarga eléctrica, incendios y/o lesiones personales graves o daños a la propiedad.

Trabajar con madera puede ser peligroso si no se observan procedimientos de operación seguros y adecuados. Tal como sucede con toda maquinaria, existen determinados peligros asociados con la operación del producto. Utilizar esta máquina con respeto y cautela disminuirá considerablemente la posibilidad de lesiones personales. Sin embargo, no observar o ignorar las precauciones normales de seguridad podría causarle lesiones personales al operador. El equipo de seguridad, como los protectores, las varillas para empujar, los sujetadores, las tablas con canto biselado, las gafas protectoras, las máscaras para polvo y la protección auditiva pueden evitar el riesgo de lesionarse. Sin embargo, incluso el mejor protector no compensará la falta de sentido común, el descuido ni la distracción. ***Siempre aplique el sentido común*** y actúe con cautela en el taller. Si un procedimiento parece peligroso, no lo intente. Busque un procedimiento alternativo que parezca más seguro. **RECUERDE:** Su seguridad personal es su responsabilidad. Para obtener información adicional, visite nuestro sitio web en www.DeltaMachinery.com.



⚠ ADVERTENCIA: Esta máquina fue diseñada para determinadas aplicaciones únicamente. DELTA® Power Equipment Corporation recomienda encarecidamente que esta máquina no sea modificada ni utilizada para un uso que no sea aquel para el cual fue diseñada. Si tiene cualquier pregunta relacionada con una aplicación específica, NO use la máquina hasta que haya contactado primero a DELTA® para determinar si puede o debe realizarse en el producto.

Si tiene alguna pregunta relacionada con su uso, NO utilice el producto hasta que haya escrito a DELTA® Power Equipment Corporation y le hayamos dado el asesoramiento adecuado. Contáctenos en línea en www.DeltaMachinery.com o por correo a Technical Service Manager, DELTA® Power Equipment Corporation, 2651 New Cut Road, Spartanburg, SC 29303.

La información relacionada con la operación segura y adecuada de esta herramienta está disponible en las siguientes fuentes:

- Power Tool Institute, 1300 Sumner Avenue, Cleveland, OH 44115-2851 o en Internet en www.powertoolinstitute.com
- National Safety Council, 1121 Spring Lake Drive, Itasca, IL 60143-3201
- American National Standards Institute, 25 West 43rd Street, 4 floor, New York, NY 10036 www.ansi.org - ANSI 01.1 Requisitos de seguridad para máquinas que trabajan de carpintería
- Reglamentaciones del Departamento del Trabajo de EE. UU.: www.osha.gov

NORMAS DE SEGURIDAD: DEFINICIONES

Este manual contiene información que es importante que usted conozca y comprenda. Esta información está relacionada con la protección de SU SEGURIDAD y la PREVENCIÓN DE PROBLEMAS CON EL EQUIPO. Para ayudarle a reconocer esta información, utilizamos los símbolos que figuran a continuación. Lea este manual y preste atención a estas secciones.

⚠ PELIGRO: Indica una situación peligrosa inminente que, de no evitarse, causará la muerte o lesiones graves.

⚠ ADVERTENCIA: Indica una situación potencialmente peligrosa que, de no evitarse, podría causar la muerte o lesiones graves.

⚠ PRECAUCIÓN: Indica una situación potencialmente peligrosa que, de no evitarse, puede causar lesiones menores o moderadas.

PRECAUCIÓN: Usado sin el símbolo de alerta de seguridad indica una situación potencialmente peligrosa que, de no evitarse, puede causar daños a la propiedad.

REGLAS GENERALES DE SEGURIDAD

⚠ ADVERTENCIA: NO SEGUIR ESTAS REGLAS DE SEGURIDAD PUEDE OCASIONAR LESIONES PERSONALES GRAVES.

- **POR SU PROPIA SEGURIDAD, LEA Y COMPRENDA EL MANUAL DE INSTRUCCIONES ANTES DE OPERAR LA UNIDAD.** Conozca los usos y las limitaciones de la unidad, así como los peligros específicos propios de la misma.
- **MANTENGA LIMPIA EL ÁREA DE TRABAJO.** Las áreas y los bancos desordenados pueden provocar accidentes.
- **NO USE EN ENTORNOS PELIGROSOS.** No use esta unidad en lugares húmedos o mojados, ni la esponja a la lluvia. Mantenga el área de trabajo bien iluminada.
- **MANTENGA ALEJADOS A LOS NIÑOS Y VISITANTES.** Todos los niños y visitantes deben mantenerse a una distancia prudente del área de trabajo.
- **DESCONECTE LA UNIDAD** antes de efectuarle tareas de mantenimiento.
- **CONTROLE LAS PIEZAS DAÑADAS.** Antes de seguir usando la unidad, repare o reemplace de forma adecuada cualquier pieza que esté dañada.

⚠ ADVERTENCIA: NO OBSERVAR ESTAS REGLAS DE SEGURIDAD PUEDE OCASIONAR LESIONES GRAVES.

1. Lea y comprenda los carteles de advertencia de la máquina y de este manual. No cumplir con todas estas advertencias puede causar lesiones graves.
 2. Reemplace las etiquetas de advertencia si se tornan borrosas o se desprenden.
 3. Esta máquina está diseñada y destinada para ser utilizada únicamente por personal capacitado adecuadamente y experimentado. Si no está familiarizado con la operación adecuada y segura de una sierra cinta, no la utilice hasta recibir la capacitación y el conocimiento adecuados.
 4. No utilice esta máquina para otra cosa que no sea su uso previsto. Si se utiliza para otros propósitos, DELTA® Power Equipment Corporation se exime de cualquier garantía real o implícita y se mantiene indemne ante cualquier lesión que pueda ser consecuencia de dicha utilización.
 5. Siempre use lentes de seguridad/caretas aprobadas cuando utilice esta lijadora de eje.
 6. Antes de operar esta lijadora, quítese la corbata, los anillos, relojes y otra joyería, y enrolle las mangas hasta los codos. No use ropa suelta y recoja el cabello largo. Se recomienda utilizar calzado antideslizante o tiras de piso antiderrapantes. No use guantes.
 7. Use protectores auditivos (tapones u orejeras) durante períodos de operación extensos.
 8. Parte del polvo creado por el lijado, el aserrado, el amolado, el barrenado y otras actividades de construcción contiene productos químicos que se sabe que causan cáncer, defectos congénitos y otros daños reproductivos. Algunos ejemplos de estos productos químicos son:
 - plomo de pinturas a base de plomo;
 - sílice cristalina de ladrillos, cemento y otros productos de albañilería;
 - arsénico y cromo de madera tratada químicamente.
- Su riesgo de exposición varía dependiendo de la frecuencia con la que realice este tipo de trabajo.
- Para reducir su exposición a estos productos químicos, trabaje en un área bien ventilada y trabaje con equipos de seguridad aprobados, como máscaras faciales y para polvo que estén específicamente diseñadas para no dejar pasar las partículas microscópicas.
9. No opere esta máquina cuando esté cansado o bajo los efectos de drogas, alcohol o cualquier medicamento.
 10. Asegúrese de que el interruptor esté en la posición OFF (APAGADO) antes de conectar la máquina a una fuente de alimentación.
 11. Asegúrese de que la máquina esté conectada a tierra de forma adecuada.
 12. Desenchufe la máquina de la fuente de alimentación para realizar todos los ajustes y el mantenimiento de la misma.
 13. Cree el hábito de verificar que todos los equipos adicionales, como llaves de ajuste, llaves, descartes, material y paños de limpieza, se alejen de la máquina antes de encenderla.
 14. Mantenga los protectores de seguridad en su lugar en todo momento cuando la máquina esté en uso. Si se quitan por razones de mantenimiento, aplique extrema precaución y vuelva a colocar los protectores inmediatamente cuando se complete el mantenimiento.
 15. Asegúrese de que la herramienta esté firmemente sujeta a una superficie de trabajo estable antes de utilizarla.
 16. Examine las piezas dañadas. Antes de seguir utilizando la máquina, debe examinarse cuidadosamente si el protector u otra pieza están dañados, para determinar que funcionarán adecuadamente y desempeñarán su función prevista. Examine la alineación de las piezas móviles, la unión de las piezas móviles, si hay piezas rotas, el montaje y cualquier otra condición que pueda afectar su funcionamiento. Los protectores o las otras piezas que estén dañados deben repararse o reemplazarse adecuadamente.

continúa en la página 33

17. Provea un espacio adecuado alrededor del área de trabajo e iluminación superior antirreflejo.
18. Mantenga el piso alrededor de la máquina limpio y libre de descartes de material, aceite y grasa.
19. Mantenga a los visitantes a una distancia prudente del área de trabajo. Mantenga alejados a los niños.
20. Haga su taller a prueba de niños, mediante candados, interruptores generales o sacando las llaves de encendido.
21. Preste absoluta atención a su trabajo. Mirar alrededor, mantener una conversación y los juegos físicos bruscos son acciones negligentes que pueden ocasionar lesiones graves.
22. Mantenga una postura balanceada en todo momento para que no caerse ni apoyarse sobre la herramienta o sus piezas móviles. No se extralimite ni aplique fuerza excesiva para realizar cualquiera de las operaciones de la máquina.
23. Utilice la herramienta correcta, a la velocidad y tasa de alimentación adecuadas. No fuerce una herramienta o acoplamiento para que realicen un trabajo para el cual no fueron diseñados. La herramienta adecuada realizará mejor el trabajo y de manera más segura.
24. Utilice los accesorios recomendados; los accesorios incorrectos podrían ser peligrosos.
25. Realice el mantenimiento de la maquinaria con cuidado. Siga las instrucciones para lubricar y cambiar los accesorios.
26. Apague la máquina antes de limpiarla. Utilice un cepillo o aire comprimido para quitar el polvo o la suciedad; no utilice las manos.
27. No se pare sobre la máquina. Si la máquina se vuelca, podrían ocurrir lesiones graves.
28. Nunca deje la máquina funcionando sin supervisión. Apáguela y no deje la máquina hasta que se haya detenido completamente.
29. Sujete el material con firmeza en todo momento.
30. Siempre encienda la lijadora y permita que alcance su máxima velocidad antes de permitir que la pieza de trabajo entre en contacto con la superficie de lijado.
31. Asegúrese de utilizar el inserto de mesa del tamaño correcto para el eje de lijado seleccionado.
30. No utilice esta herramienta para otra cosa que no sea su uso previsto. Si se utiliza para otros propósitos, DELTA® Power Equipment Corporation se exime de cualquier garantía real o implícita y se mantiene indemne ante cualquier lesión o daño que pueda ser consecuencia de dicho uso.

Familiarícese con los siguientes avisos de seguridad utilizados en este manual:

⚠ PRECAUCIÓN: Esto significa que si no se siguen las precauciones, pueden presentarse lesiones menores y/o posibles daños a la máquina.

⚠ ADVERTENCIA: Esto significa que si no se siguen las precauciones, pueden presentarse lesiones graves o posiblemente incluso la muerte.

GUARDE ESTAS INSTRUCCIONES.
Consúltelas con frecuencia y utilícelas para instruir a otros.

CONEXIONES DE ALIMENTACIÓN

Se debe utilizar un circuito eléctrico por separado para sus máquinas. Este circuito no debe ser inferior a un cable calibre 12 y debe estar protegido con un fusible con retardo de tiempo de 20 amperes. Si se utiliza un alargador eléctrico, use únicamente alargadores eléctricos trifilares con enchufes del tipo que tienen 3 clavijas con conexión a tierra y un tomacorriente equivalente que acepte el enchufe de la máquina. Antes de conectar la máquina a la línea de alimentación, cerciórese de que el interruptor esté en la posición "OFF" (APAGADO) y verifique que la corriente eléctrica sea de las mismas características que se indican en la máquina. Todas las conexiones a la línea deben hacer buen contacto. Hacerla funcionar en baja tensión dañará la máquina.

▲ PELIGRO: NO EXPONGA LA MÁQUINA A LA LLUVIA NI LA OPERE EN LUGARES HÚMEDOS.

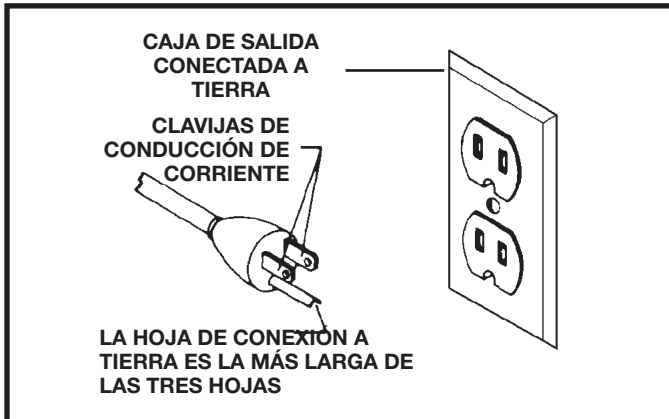


FIG. A

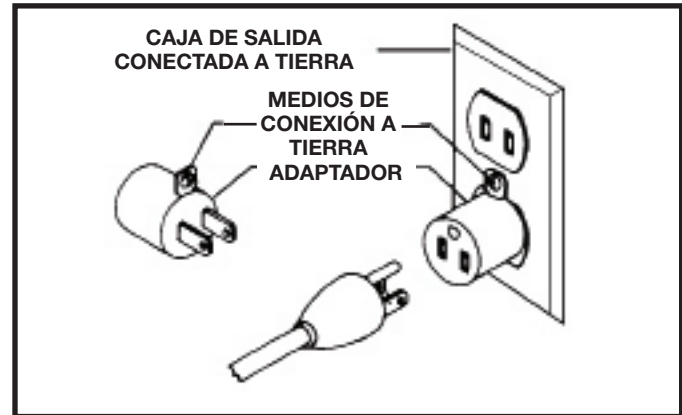


FIG. B

ESPECIFICACIONES DEL MOTOR

Su máquina está cableada para 120/240 voltios de corriente alterna a 60 Hz. Antes de conectar la máquina a una fuente de alimentación, asegúrese de que el interruptor esté en la posición "OFF" (apagado).

INSTRUCCIONES DE CONEXIÓN A TIERRA

▲ PELIGRO: ESTA MÁQUINA DEBE ESTAR CONECTADA A TIERRA MIENTRAS ESTÉ EN USO PARA PROTEGER AL OPERADOR DE UNA DESCARGA ELÉCTRICA.

1. Todas las máquinas conectadas con cables y con conexión a tierra:

En caso de mal funcionamiento o avería, la conexión a tierra proporciona un pasaje de menor resistencia para la corriente eléctrica para reducir el riesgo de descarga eléctrica. Esta máquina está equipada con un cable eléctrico, que tiene un conductor que conecta el equipo a tierra y un enchufe de conexión a tierra. El enchufe debe estar enchufado en un tomacorriente equivalente, que esté instalado y conectado a tierra correctamente, según todos los códigos y ordenanzas locales.

No modifique el enchufe suministrado; si no calza en el tomacorriente, haga instalar el tomacorriente adecuado por un electricista certificado.

Conectar incorrectamente el conductor que conecta el equipo a tierra puede provocar riesgo de shock eléctrico. El conductor con aislamiento que tiene una superficie exterior verde con o sin rayas amarillas es el conductor que conecta el equipo a tierra. Si es necesario reparar o reemplazar el cable eléctrico o el enchufe, no conecte el conductor que conecta el equipo a tierra a una terminal activa.

Consulte con un electricista certificado o con el personal de servicio de mantenimiento si no comprende completamente las instrucciones de conexión a tierra o si tiene dudas sobre si la máquina está conectada a tierra adecuadamente.

Utilice únicamente alargadores eléctricos trifilares con enchufes del tipo que tienen tres clavijas y un tomacorriente equivalente de 3 conductores que acepten el enchufe de la máquina, como se muestra en la figura A.

Repáre o reemplace inmediatamente el cable que esté dañado o deteriorado.

▲ PELIGRO: EN TODOS LOS CASOS, ASEGÚRESE DE QUE EL TOMACORRIENTE EN CUESTIÓN ESTÉ CONECTADO A TIERRA CORRECTAMENTE. SI NO ESTÁ SEGURO, HAGA QUE UN ELECTRICISTA CERTIFICADO VERIFIQUE EL TOMACORRIENTE.

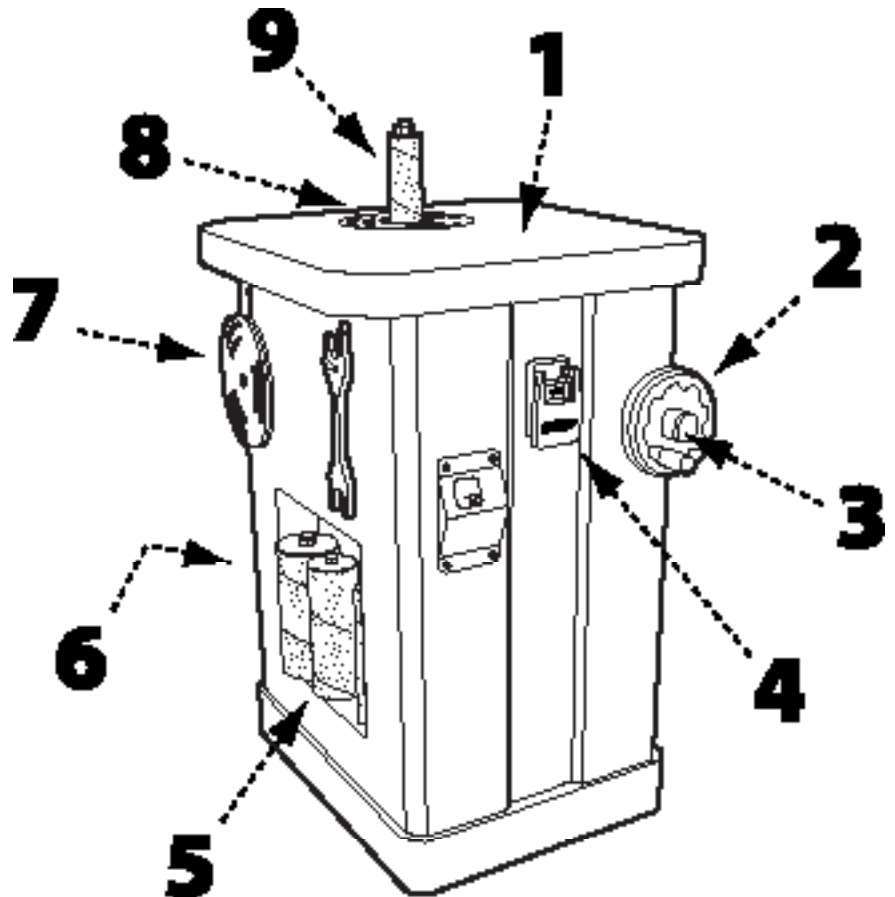
ALARGADORES ELÉCTRICOS

⚠ PRECAUCIÓN: Utilice los alargadores eléctricos adecuados. Cerciórese de que los alargadores eléctricos estén en buenas condiciones y de que sean del tipo de alargadores eléctricos con 3 cables que tienen un enchufe con conexión a tierra con 3 clavijas y un tomacorriente equivalente que acepte el enchufe de la máquina. Cuando utilice un alargador eléctrico, asegúrese de que sea lo suficientemente resistente para soportar la corriente de la máquina. Un cable inferior causará una disminución en el voltaje de la línea, lo cual genera pérdida de potencia y recalentamiento. La tabla muestra el calibre correcto que se debe usar dependiendo del largo del cable. Si tiene dudas, utilice el siguiente calibre más resistente. Cuanto menor el número del calibre, más resistente es el cable.

ALARGADOR ELÉCTRICO DE CALIBRE MÍNIMO			
TAMAÑOS RECOMENDADOS PARA UTILIZAR CON MÁQUINAS ELÉCTRICAS FIJAS			
Amperaje	Voltios	Largo total del cable en metros (pies)	Calibre del alargador eléctrico
0-6	120	hasta 7.6 (25)	18 AWG
0-6	120	7.6-15.2 (25-50)	16 AWG
0-6	120	15.2-30.5 (50-100)	16 AWG
0-6	120	30.5-45.7 (100-150)	14 AWG
6-10	120	hasta 7.6 (25)	18 AWG
6-10	120	7.6-15.2 (25-50)	16 AWG
6-10	120	15.2-30.5 (50-100)	14 AWG
6-10	120	30.5-45.7 (100-150)	12 AWG
10-12	120	hasta 7.6 (25)	16 AWG
10-12	120	7.6-15.2 (25-50)	16 AWG
10-12	120	15.2-30.5 (50-100)	14 AWG
10-12	120	30.5-45.7 (100-150)	12 AWG
12-16	120	hasta 7.6 (25)	14 AWG
12-16	120	7.6-15.2 (25-50)	12 AWG
12-16	120	NO SE RECOMIENDA UNA LONGITUD MAYOR A 15.2 METROS (50 PIES)	

CARACTERÍSTICAS Y COMPONENTES CLAVE

1. Mesa de hierro fundido
2. Rueda de inclinación del eje
3. Candado de la inclinación del eje
4. Interruptor de corriente
5. Almacenamiento del eje
6. Puerto de polvo de 4" (no visible)
7. Almacenamiento del inserto de mesa
8. Inserto de mesa intercambiable
9. Eje para lijado inclinado



DESCRIPCIÓN FUNCIONAL

La lijadora® DELTA® de piso de eje oscilante de uso pesado está diseñada para lijar o pulir superficies planas, redondas o curvas en madera y plástico.

ESPECIFICACIÓN DEL PRODUCTO

Tasa de oscilación	60 carreras por minuto (SPM)
Carrera de oscilación	38.1 mm (1-1/2 pulg.)
Velocidad del eje	1725 RPM
Motor	1 HP, 110V, 10 amperios
Tamaño de la mesa	62.5 cm x 62.2 cm (24 – 5/8 pulg. X 24 – 1/2 pulg.)
Inclinación del eje	0° - 45°
Rango del tamaño del eje	6.4 mm (1/4 pulg.), 9.5 mm (3/8 pulg.), 12.7 mm (1/2 pulg.), 15.9 mm (5/8 pulg.), 19.1 mm (3/4 pulg.), 25.4 mm (1 pulg.), 38.1 mm (1-1/2 pulg.), 50.8 mm (2 pulg.), 76.2 mm, (3 pulg.), 101.6 mm (4 pulg.)
Canaleta de polvo	101.6 mm (4 pulg.)
Dimensiones de la base	62.9 cm x 50.2 cm (24 – 3/4 pulg. X 19 – 3/4 pulg.)
Peso NETO	374 lbs.

DESEMPAQUE

⚠ ADVERTENCIA: La máquina es pesada, tenga cuidado al sacarla del contenedor de envío. Ignorar esta advertencia puede ocasionar lesiones graves y/o daños materiales y/o a la herramienta.

⚠ ADVERTENCIA: Este paso requiere de dos adultos. La máquina es pesada, tenga cuidado al sacarla del contenedor de envío. Ignorar esta advertencia puede ocasionar lesiones graves y/o daños materiales y/o a la herramienta.

Su lijadora® DELTA® de piso de eje oscilante de uso pesado viene empacada en un solo contenedor. Al levantar la máquina use una correa de seguridad para evitar una volcadura. Verifique que la caja de envío y la máquina no estén dañadas antes de desempacarla.

1. Con cuidado corte los flejes y quítelos del contenedor.
2. Corte a lo largo de la línea de cinta adhesiva en la parte superior del contenedor.
3. Retire cualquier parte suelta accesible desde la parte superior del contenedor y deje a un lado.
4. Corte verticalmente a lo largo de cada uno de los cuatro lados del contenedor para exponer por completo la máquina.
5. Retire cualquier parte o tornillería suelta y deje a un lado.
6. Con la ayuda de una segunda persona, levante con cuidado la máquina de la tarima y colóquela sobre una superficie nivelada.
7. Compare todas las partes con la siguiente lista y compruebe que todas las partes estén presentes y en buenas condiciones.

DESCRIPCIÓN (CANTIDAD)

- Lijadora de eje de piso (1) (pequeño, mediano, grande)
- Cubierta del motor (1)
- Ejes de acero y mangas de lijado (4) (Diámetro: 6.4 mm (1/4 pulg.), 9.5 mm (3/8 pulg.), 12.7 mm (1/2 pulg.), 15.9 mm (5/8 pulg.))
- Ejes de caucho y mangas de lijado (6) (Diámetro: 19.1 mm (3/4 pulg.), 25.4 mm (1 pulg.), 38.1 mm (1-1/2 pulg.), 50.8 mm (2 pulg.), 76.2 mm (3 pulg.), 101.6 mm (4 pulg.))
- Insertos rectangulares de mesa (3) (no se muestra)
- Insertos redondos de mesa (3) (pequeño, mediano, grande)
- Llave de boca del eje (2)
- Ganchos de almacenamiento (2)
- Rueda de inclinación del eje (1)
- Perilla sujetadora de inclinación del eje (1)
- Paquete de tornillería (1)
- Manual del propietario (1)

CONTENIDO DEL PAQUETE DE TORNILLERÍA

- Llave hexagonal de 3 mm (1)
- Llave hexagonal de 4 mm (1)
- Llave hexagonal de 6 mm (1)
- Llave de boca de 12 mm (1)

Reporte cualquier parte que falte o esté dañada a su distribuidor o concesionario. Antes de ensamblar y usar la herramienta, lea con atención este manual para familiarizarse con los procedimientos adecuados de ensamblado, mantenimiento y seguridad.

Retire todos los materiales de protección y capas protectoras de las piezas y de la lijadora. Los recubrimientos protectores pueden quitarse rociando WD-40 sobre ellos y retirándolos con un paño suave. Es posible que esto deba hacerse varias veces para quitar por completo todos los recubrimientos protectores.

⚠ ADVERTENCIA: Si falta cualquier parte, no intente conectar el cable de corriente y encender la máquina. La máquina debe encenderse únicamente después de obtener e instalar correctamente todas las partes.

SUJECIÓN DE LA CUBIERTA DEL MOTOR

Vea la Figura 1

1. Deslice los ejes de las bisagras (A) de la cubierta del motor sobre los agujeros de la bisagra que se encuentran en la caja del motor.
2. Con cuidado presione el lado izquierdo de la cubierta del motor hasta que la perilla (B) se enganche en la abertura.
3. Apriete la perilla de seguridad en la cubierta del motor.

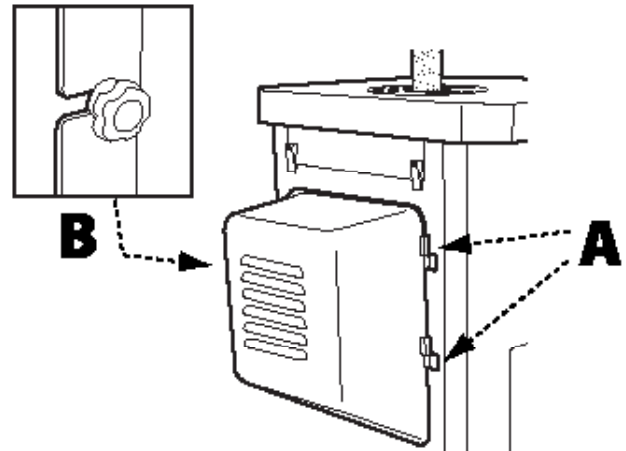


FIGURA 1

SUJECIÓN DE LA RUEDA DE INCLINACIÓN DEL EJE

Vea la Figura 2

1. Coloque la rueda de inclinación del eje (A) sobre el mango roscado alineando la ranura en la rueda de inclinación del eje con el pasador en el mango.
2. Sujete la perilla moleteada de inclinación del eje (B) atornillándola en el mango.

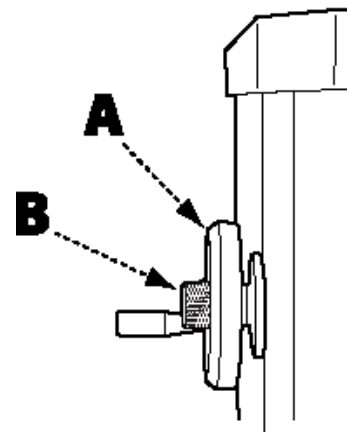


FIGURA 2

SUJECIÓN DE LOS GANCHOS DE ALMACENAMIENTO

Vea la Figura 3

Para proteger los ensambles del eje de lijado y los insertos de mesa, se recomienda que use el almacenamiento incorporado para que no estorben y mantenerlos al alcance de manera segura.

Los seis insertos de mesa y las dos llaves del eje pueden guardarse en el lado izquierdo de la máquina. Sujete los dos ganchos de almacenamiento (A) a la máquina usando dos tornillos de cabeza redonda Phillips M5 X 15.

Los diez ensambles del eje pueden guardarse en compartimientos colocados en cualquiera de los lados de la máquina.

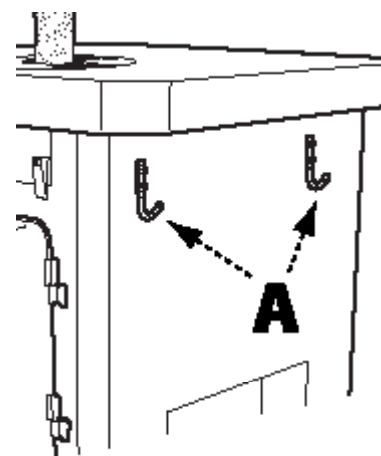


FIGURA 3

ARMADO

INSTALACIÓN DE LAS MANGAS DE LIJADO EN LOS EJES

Ejes de acero de 15.2 cm (6 pulg.)

Vea la Figura 4

1. Afloje los tornillos de fijación pequeños (A) ubicados en la base del eje.
2. Deslice por completo la manga de lijado en el eje asegurándose de que la manga se deslice hacia la cavidad ubicada en la parte inferior del eje. Asegúrese de que el tornillo de fijación no obstruya el asiento de la manga de lijado y que la manga esté completamente montada.
3. Vuelva a ajustar el tornillo de fijación para fijar la manga en su lugar.
4. Para asegurarse de que la manga esté sujeta al eje, jale la manga para comprobar que no se deslice.

⚠ PRECAUCIÓN: No apriete demasiado el tornillo de fijación pues puede dañar la manga de lijado y puede provocar que la manga se desprenda del eje durante el uso.



FIGURA 4

Ejes de acero de 22.9 cm (9 pulg.)

Vea la Figura 5

1. Deslice la manga de lijado sobre el eje, asegurándose de que la orilla inferior de la manga esté al ras con la orilla inferior del eje.
2. Con la llave de boca del eje que se proporciona, ajuste la tuerca (A) en la parte superior del eje.
3. Jale la manga para comprobar que esté fija en el eje. Si la manga se desliza por el eje, continúe apretando la tuerca en la parte superior en aumentos de ½ vuelta según sea necesario.

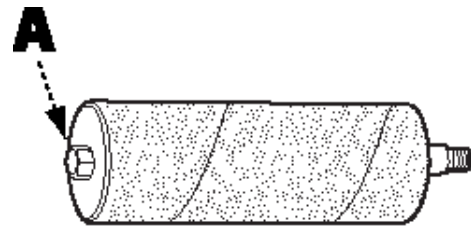


FIGURA 5

INSTALACIÓN DEL EJE EN LA LIJADORA

Vea la Figura 6

⚠ PRECAUCIÓN: Asegúrese de que el interruptor esté en la posición "OFF" (Apagado) y que el cable de corriente esté desenchufado.

1. Atornille el extremo roscado del eje en el asiento del eje y apriete manualmente.
2. Abra el panel de acceso trasero (A).
3. Use las dos llaves de boca del eje (proporcionadas) una en el eje y la otra en el asiento del eje como se muestra en la Figura 6, para apretarlos.

NOTA: No apriete demasiado el eje, pues puede ser difícil de quitar más adelante.

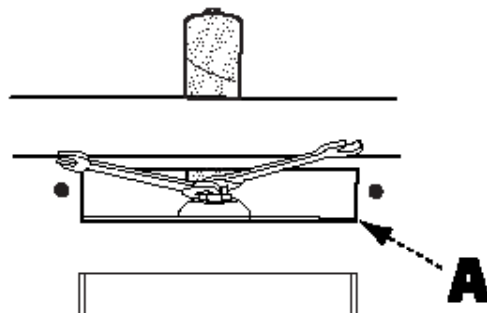


FIGURA 6

SELECCIÓN E INSTALACIÓN DEL INSERTO DE MESA

⚠ PRECAUCIÓN: Si no usa el inserto adecuado con el eje correspondiente, puede ocasionar lesiones y/o daño a la máquina o a la pieza de trabajo.

Su lijadora® DELTA® de piso de eje oscilante de uso pesado viene con seis insertos de mesa. Los insertos de mesa con las aberturas redondas están diseñados para trabajos de lijado donde el eje está completamente en posición recta (90°). Los insertos de mesa con las aberturas rectangulares son para un lijado biselado.

1. Use los insertos de mesa recomendados que se muestran en la Figura 7 para seleccionar el inserto de mesa deseado.
2. Deslice el inserto de mesa sobre el eje. Compruebe que el inserto de mesa esté colocado adecuadamente alineando la pequeña muesca en el inserto de mesa (A) con la pequeña pestaña correspondiente (B) en la mesa como se muestra en la Figura 8.

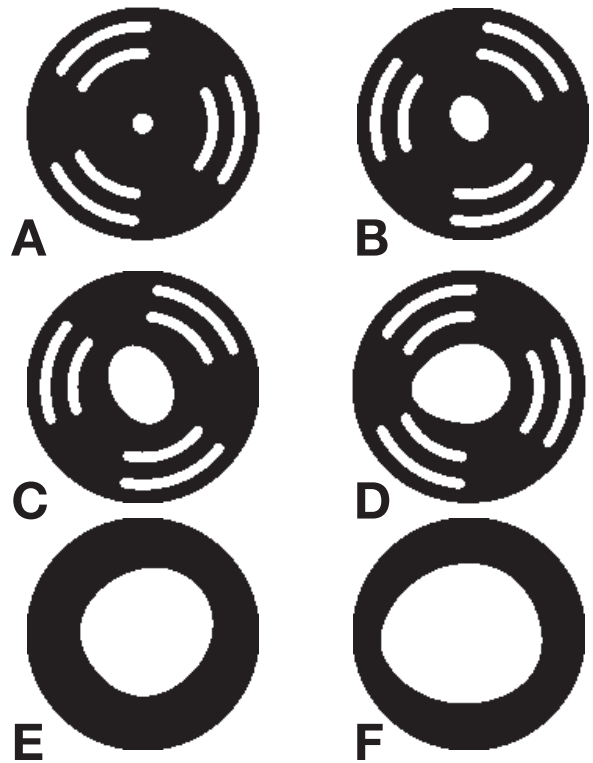


FIGURA 7

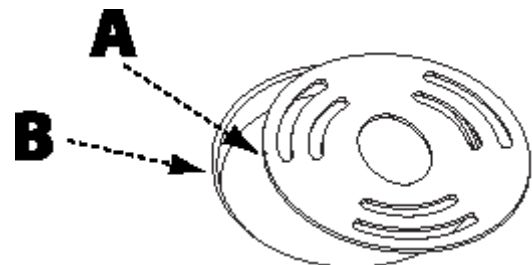


FIGURA 8

TABLA DE INSERTO/EJE 31-484		
INSERTO A USAR		
DIÁMETRO DEL EJE	PARA 0°	PARA 45°
101.6 mm (4 pulg.)	E	F
76.2 mm (3 pulg.)	D	E
50.8 mm (2 pulg.)	D	D
38.1 mm (1-1/2 pulg.)	C	C
25.4 mm (1 pulg.)	B	C
19.1 mm (3/4 pulg.)	B	B
15.9 mm (5/8 pulg.)	A	B
12.7 mm (1/2 pulg.)	A	B
9.5 mm (3/8 pulg.)	A	B
6.4 mm (1/4 pulg.)	A	A

ALINEACIÓN DE LA MESA CON EL EJE

Para asegurar una operación adecuada y resultados consistentes, el eje debe estar alineado con la superficie de la mesa. Para comprobar la alineación

1. Asegúrese de que el indicador de inclinación del eje está en 90°. De ser necesario, consulte las instrucciones para el "Ajuste de la inclinación del eje" en la página 13 y vuelva a posicionar el eje en 90°.
2. Use una escuadra con un lado al ras del eje y el otro lado descansando sobre la superficie de la mesa para comprobar la alineación de la mesa con respecto al eje.

Si la mesa está desalineada, debe ajustar el tope positivo de 90°. Consulte la Figura 9 y realice el siguiente procedimiento:

1. Destrabe la perilla de seguridad en la cubierta del motor (Figura 1 en la página #) y abra la cubierta.
2. Ubique el collar del tope positivo de 90° en la varilla roscada larga (B) que corre desde enfrente hacia atrás en el lado izquierdo de la máquina.

NOTA: Hay dos collares de tope que se encuentran en la varilla roscada. El collar más alejado de la parte posterior de la máquina es el collar de tope positivo de 90°.

3. Afloje los 2 tornillos de fijación en el collar de tope positivo de 90° usando una llave hexagonal de 3 mm.
4. Gire el collar de tope positivo de 90°, vuelva a ajustar los tornillos de fijación y vuelva a medir la alineación de la mesa, repitiendo los pasos 2 y 3 si es necesario hasta que la mesa y el eje estén alineados.
5. Ajuste el indicador de inclinación del eje para que indique 90° desatornillando los cuatro tornillos de cabeza Phillips que sujetan la ventana del indicador de inclinación al gabinete y quitando la ventana. Afloje el tornillo de sujeción de la flecha de inclinación, reposicione la flecha y apriete el tornillo de sujeción.

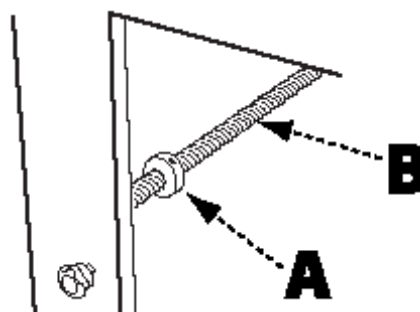


FIGURA 9

CONECTAR A UN RECOLECTOR DE POLVO

La lijadora de eje produce una gran cantidad de polvo mientras está en uso. Se recomienda vehementemente que conecte la lijadora de eje a un recolector de polvo. Su lijadora® DELTA® de piso de eje oscilante de uso pesado está equipada con un puerto de polvo de 4" que se encuentra en la parte inferior trasera de la máquina. Este debe conectarse a las mangueras del recolector de polvo para asegurar una operación segura.

⚠ ADVERTENCIA: No intente operar esta herramienta sin antes conectarla a un sistema adecuado de recolección de polvo.

⚠ ADVERTENCIA: Siempre encienda el recolector de polvo antes de encender la lijadora y siempre detenga la lijadora antes de apagar el recolector de polvo.

OPERACIÓN

- ⚠ PRECAUCIÓN:** No leer y comprender las instrucciones, advertencias y pautas de seguridad proporcionadas en este manual puede ocasionar lesiones graves y/o daño a la máquina o la pieza de trabajo.
- ⚠ PRECAUCIÓN:** Asegúrese de que el eje de lijado esté firmemente instalado en la máquina.
- ⚠ PRECAUCIÓN:** Asegúrese de que el candado de inclinación del eje esté sujetado y que el eje esté trabado en su lugar al ángulo o inclinación deseado.
- ⚠ PRECAUCIÓN:** Asegúrese de que la máquina esté instalada en una superficie plana, resistente y estable capaz de soportar el peso de la máquina y la pieza de trabajo a lijar.

Vea la figura 10.

1. Seleccione e instale el eje de lijado deseado con el inserto de mesa correspondiente (vea la página 10).
2. Asegúrese de que el eje tenga el ángulo de lijado correcto (página 13) y que la posición del eje esté bloqueada en su lugar.
3. Para arrancar la máquina, levante la paleta roja de seguridad (A) y presione el botón verde "START" (ARRANCAR). Espere a que el eje alcance la máxima velocidad antes de lijar.
4. Sostenga la pieza de trabajo firmemente y trabaje con una posición estable. Cuando el eje esté completamente vertical (90°), puede lijar desde cualquier parte de la mesa. Cuando el eje esté inclinado, asegúrese de que la pieza de trabajo se posicione en la mitad frontal de la mesa.
5. Para lograr los mejores resultados de acabado y asegurar la máxima vida útil de la manga de lijado, mueva lentamente la pieza de trabajo hacia adelante y atrás en toda la superficie del eje de lijado.
6. Para detener la máquina, presione el botón rojo de "Stop" (Detener) y espere a que el eje se detenga por completo.

Uso de la paleta de seguridad: Su lijadora® DELTA® de piso de eje oscilante de uso pesado está equipada con una paleta de seguridad para paro de emergencia que le permite apagar fácilmente la máquina. Para usar la paleta de seguridad, simplemente presione la paleta.

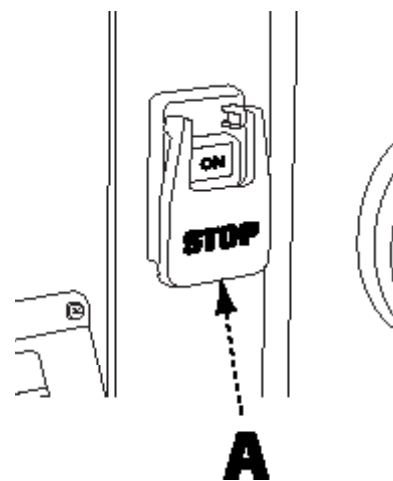


FIGURA 10

AJUSTE DE LA INCLINACIÓN DEL EJE

Vea la Figura 11

⚠ PRECAUCIÓN: Para cualquier operación de lijado con bisel debe usar un inserto de mesa con una abertura en forma rectangular. No hacerlo puede provocar una lesión grave y/o daño a la máquina o la pieza de trabajo.

1. Afloje la perilla de seguridad de inclinación del eje (A).
2. Gire la rueda de inclinación del eje (B) usando el indicador de inclinación (C) como referencia.
3. Una vez que el eje tenga el ángulo deseado, vuelva a apretar la perilla de seguridad de inclinación del eje.

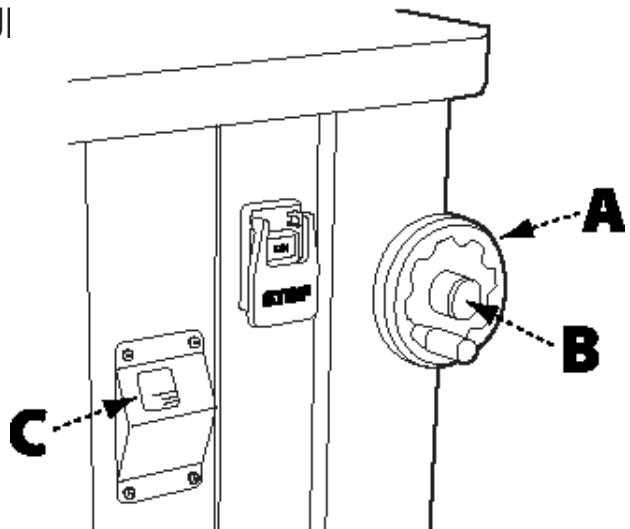


FIGURA 11

AJUSTE DE LOS TOPES POSITIVOS DE 90° Y 45°

Vea la Figura 6

Para ajustar el tope positivo de 90°, consulte la sección “ALINEACIÓN DE LA MESA CON EL EJE” en la página 11.

Para ajustar el tope positivo de 45°, consulte la Figura 12 y siga el siguiente procedimiento:

NOTA: El tope de 90° debe ajustarse y alinearse a la mesa **ANTES** de poder ajustar el tope de 45°.

1. Verifique que el eje esté alineado con la superficie de la mesa y el indicador de inclinación marque 90°.
2. Destabe la perilla de seguridad de la inclinación del eje y gire la rueda de inclinación del eje hasta que el indicador de inclinación marque 45°.
3. Ubique y retire el tapón de caucho de acceso (A) en el lado derecho de la máquina.
4. Con una llave Allen de 3 mm, afloje los 2 tornillos de fijación del collar de tope positivo de 45° (B).
5. Sostenga el collar en su lugar con la llave y gire la rueda de inclinación del eje. Esto volverá a posicionar el collar de tope positivo de 45° en la varilla roscada.
6. Con una escuadra, verifique el ángulo del eje con la mesa, repitiendo el paso 4 anterior hasta que el eje tenga un ángulo de 45° a la mesa.
7. Apriete el tornillo de fijación del collar de tope positivo de 45° y vuelva a colocar el tapón de acceso.
8. Trabe la perilla de seguridad de la inclinación del eje.

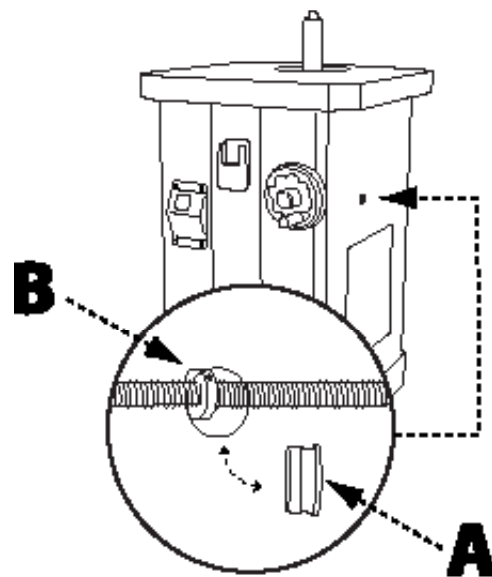


FIGURA 12

MANTENIMIENTO RECOMENDADO

INSPECCIÓN RUTINARIA

Se recomienda que inspeccione periódicamente su lijadora de eje como una acción preventiva. En esta inspección, revise lo siguiente:

- Inspeccione toda la tornillería, accesorios y sujetadores que pudieran haberse aflojado debido a la vibración y vuelva a apretarlos según sea necesario.
- Limpie el polvo y/o las partículas de madera que pudieran haberse acumulado encima o dentro de la máquina. Revise todos los aditamentos de recolección de polvo y vuelva a ajustarlos según sea necesario.
- Verifique que el INTERRUPTOR DE ENCENDIDO/APAGADO (ON/OFF) no esté dañado antes de cada uso. Verifique periódicamente que el cable de corriente y el enchufe no estén dañados. De ser necesario, reemplace el cable de corriente y el enchufe al detectar las primeras señales de daño visible.
- Verifique que todos los insertos de mesa, ejes y mangas de lijado no estén dañados y reemplácelos si es necesario.

COJINETES

Esta lijadora de eje de piso incluye cojinetes sellados de fábrica. Un cojinete sellado no requiere de lubricación durante su vida útil. En caso de que llegara a fallar un cojinete, la lijadora de eje probablemente emitirá un ruido sordo notable que aumentará cuando la máquina esté bajo carga. Cuando esto ocurra, los cojinetes deben reemplazarse.

PARA CAMBIAR EL ACEITE PARA ENGRANES:

Vea la Figura 13

El aceite para engranes debe cambiarse cada 800 horas de uso con un aceite para engranes SAE 90 wt. de alta calidad. La mirilla del nivel de aceite (B) se encuentra en la parte trasera de la caja de engranajes (A) en el lado izquierdo cerca del motor. La lijadora necesita aproximadamente medio galón. El nivel de aceite debe revisarse al menos cada mes y agregar aceite cuando lo indique la mirilla del nivel de aceite. El tapón de llenado de aceite se encuentra en la parte superior de la caja de engranajes y es visible al mirar hacia abajo desde arriba del eje.

1. Abra la puerta de acceso que se encuentra en el panel trasero del gabinete.
2. La válvula de drenaje de aceite y el tubo de drenaje (C) se encuentran en el lado izquierdo de la caja de engranajes. Coloque una bandeja recolectora debajo de la línea de drenaje limpia y abra la válvula para drenar el aceite para engranes.
3. Cierre la válvula, retire la bandeja recolectora y cierre la puerta de acceso en el gabinete.

IMPORTANTE: Consulte los códigos ambientales locales y/o estatales para asegurarse de desechar adecuadamente todo el aceite usado.

4. Ubique el tapón de llenado de aceite. Se encuentra en la parte superior de la caja de engranajes y es visible cuando mira hacia abajo desde arriba del eje. Para proporcionar un fácil acceso al tapón de llenado, retire el eje.
5. Vuelva a llenar la caja de engranajes usando un aceite de lubricación para engranes.
6. Vuelva a colocar el tapón de llenado.

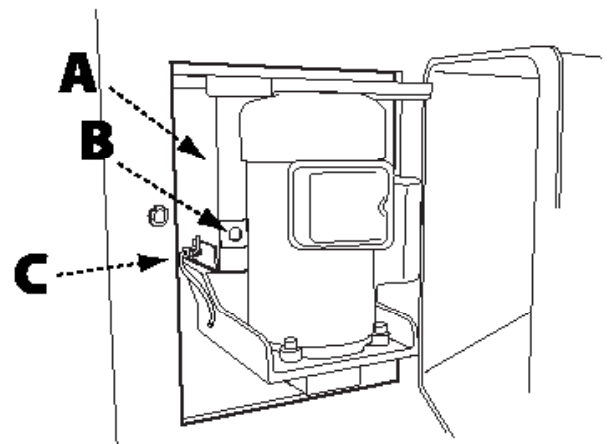


FIGURA 13

ACCESORIOS

Puede obtener una línea completa de accesorios a través de su proveedor de DELTA®, los centros de servicio de fábrica de DELTA® y los puntos de servicio autorizados de DELTA®. Visite nuestro sitio web www.DeltaMachinery.com para obtener un catálogo por Internet o el nombre de su proveedor más cercano.

⚠ ADVERTENCIA: Debido a que los accesorios que no ofrece DELTA® no han sido probados con este producto, el uso de dichos accesorios puede ser peligroso. Para obtener una operación segura, se deben utilizar con este producto únicamente los accesorios recomendados por DELTA®.

Para registrar su herramienta a fin de recibir el servicio de garantía, visite nuestro sitio web en www.DeltaMachinery.com.

Garantía de producto nuevo limitada a cinco años

DELTA® reparará o sustituirá, a su cargo y opción, cualquier nueva máquina, repuesto o accesorio de la máquina DELTA® que, en condiciones normales de utilización, ha demostrado ser defectuoso en mano de obra o material, siempre que el cliente devuelva el producto prepago a un Centro de servicio de fábrica DELTA® o a una estación de servicio autorizada con el comprobante de compra del producto dentro de un plazo de cinco años y le proporcione a DELTA® la oportunidad razonable para verificar el presunto defecto mediante inspección. El período de garantía para todo producto DELTA® reacondicionado es de 180 días. DELTA® no será responsable por ningún defecto encontrado que sea resultado del desgaste normal, mal uso, abuso o reparación o alteración realizada o autorizada específicamente por ninguna parte que no sea un Centro de servicio DELTA® autorizado o representante. Bajo ninguna circunstancia DELTA® será responsable por daños fortuitos o consecuentes derivados de productos defectuosos. Algunos estados no permiten la exclusión o limitación de daños incidentales o consecuentes, por lo que la limitación o exclusión anterior podría no aplicarse a usted. Esta es la única garantía de DELTA® y establece el recurso exclusivo del cliente, con respecto a productos defectuosos; todas las demás garantías, expresas o implícitas, ya sea de comerciabilidad, adecuación para un propósito o de otro tipo, están expresamente excluidas por DELTA®. Para obtener más detalles sobre la cobertura de la garantía e información de la garantía de reparación, visite www.DeltaMachinery.com o llame al 1-800-223-7278. Esta garantía le otorga derechos legales específicos y usted puede tener otros derechos que varían en ciertos estados o provincias.

AMÉRICA LATINA: Esta garantía no se aplica a los productos vendidos en América Latina. Para los productos vendidos en América Latina, vea la información de garantía específica del país contenida en el embalaje, llame a la empresa local o consulte el sitio web para obtener información de garantía.

ASISTENCIA SOBRE GARANTÍA, SERVICIO O PIEZAS

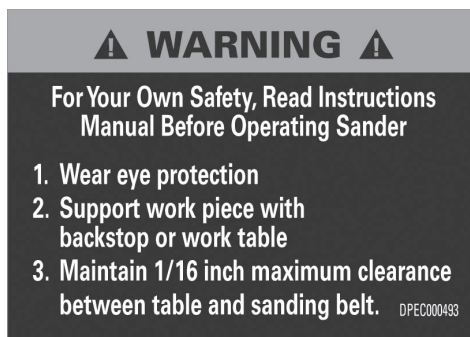
Todas las máquinas y accesorios DELTA[®] están fabricados en cumplimiento de altos estándares de calidad y reciben el servicio técnico de una red de centros de servicio de fábrica de DELTA[®] y centros de servicio autorizados de DELTA[®]. Para obtener información adicional sobre su producto de calidad DELTA[®], obtener asistencia sobre garantía, servicio o piezas, o para localizar el centro de servicio más cercano, llame al 1-800-223-7278.

PIEZAS DE REPUESTO

Utilice solamente piezas de repuesto idénticas. Para obtener una lista de las piezas o para hacer un pedido de piezas, visite nuestro sitio web en www.DeltaMachinery.com/service. También puede hacer un pedido de piezas desde su sucursal de la fábrica más cercana, el centro autorizado de servicio de garantía, o puede llamar al gerente de servicio técnico al número 1-800-223-7278 para recibir asistencia personalizada por parte de uno de nuestros expertos representantes.

REEMPLAZO GRATUITO DE LA ETIQUETA DE ADVERTENCIA

Si le faltan las etiquetas de advertencia o si se encuentran ilegibles, llame al 1-800-223-7278 para que se las reemplacen de manera gratuita.



SERVICIO TÉCNICO Y REPARACIONES

Todas las herramientas de calidad en algún momento necesitarán servicio técnico o reemplazo de las piezas. Para obtener información sobre DELTA[®] Power Equipment Corporation, sus sucursales de fábrica o para localizar un centro autorizado de servicio de garantía, visite nuestro sitio web en www.DeltaMachinery.com/service o llame a nuestro centro de atención al cliente al 1-800-223-7278. Todas las reparaciones realizadas en nuestros centros de servicio tienen garantía completa contra materiales o mano de obra defectuosos. La garantía no cubre las reparaciones realizadas por terceros. Cuando llame a este número también se puede encontrar respuestas a preguntas frecuentes.

También nos puede escribir para obtener información a: DELTA[®] Power Equipment Corporation, 2651 New Cut Road, Spartanburg, SC 29303 - Attention: Technical Service Manager. Asegúrese de incluir toda la información que figura en la placa de identificación de su herramienta (número de modelo, tipo, número de serie, código de fecha, etc.)



POWER EQUIPMENT CORPORATION

2651 New Cut Road
Spartanburg, SC 29303
(800) 223-7278
www.DeltaMachinery.com

Copyright © 2012 DELTA® Power Equipment Corporation DPEC001142 - 7-18-12

Revised: 02-08-16

